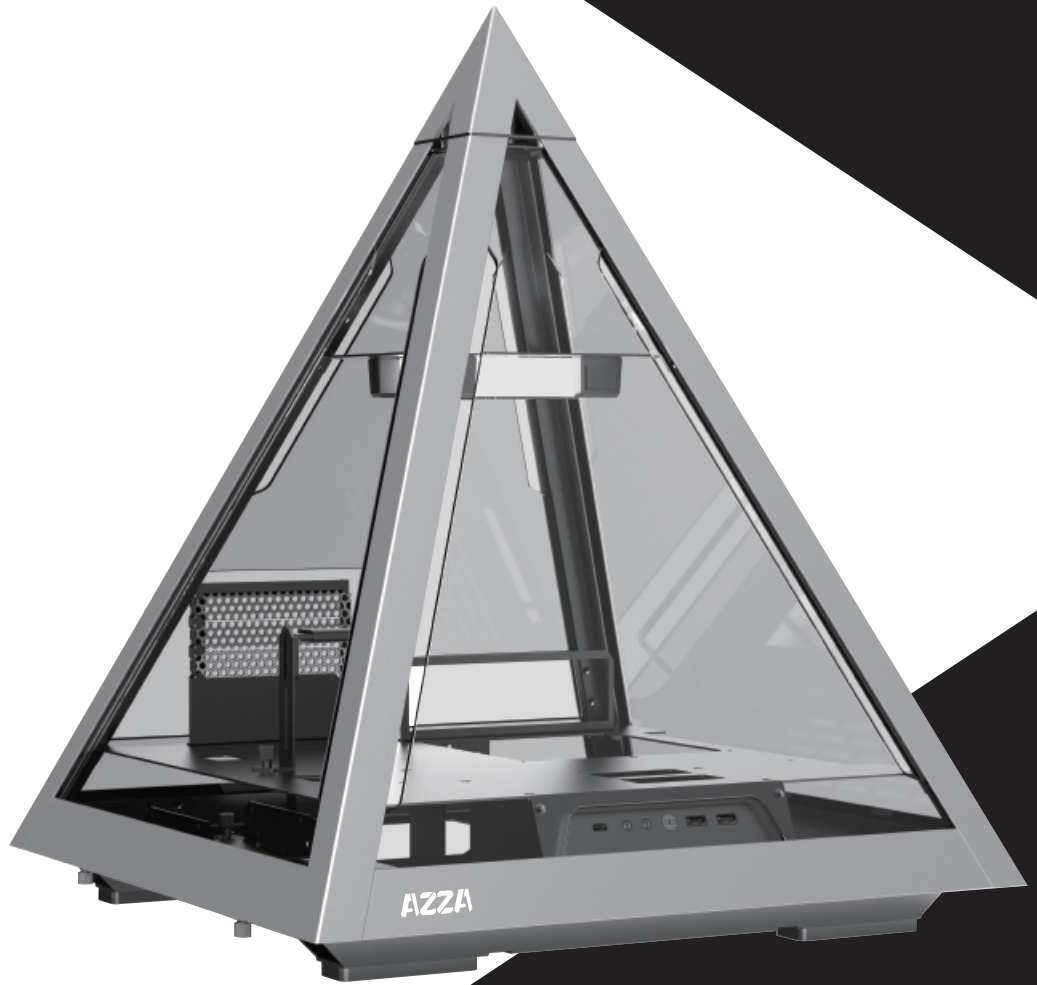


# Pyramid

INNOVATIVE TREPMPERED GLASS GAMING CASE

CSAZ-804L



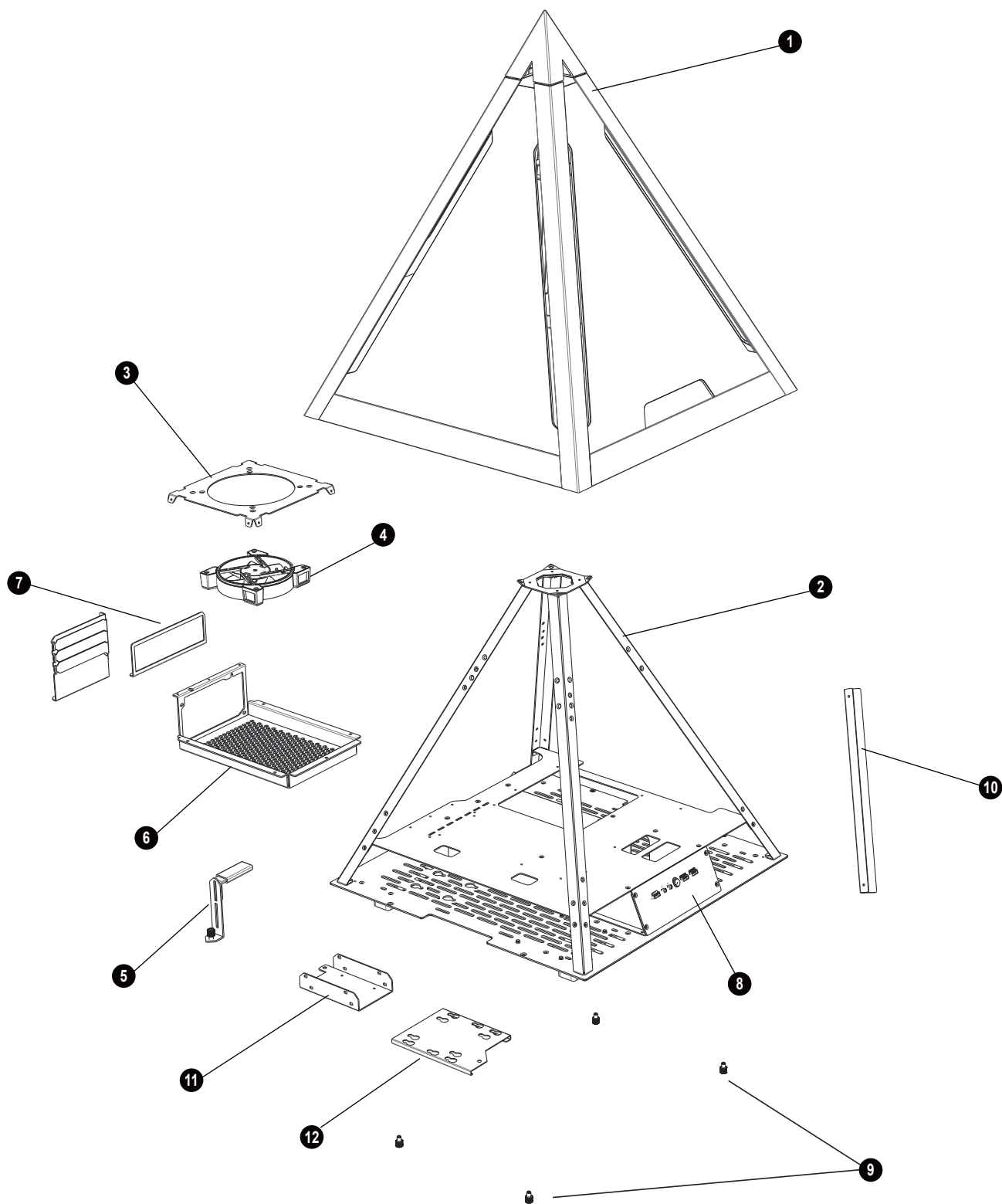
# USER MANUAL

1. Specifications
2. Chassis Parts
3. Removing The Top Glass Panel
4. Overview
5. Power Supply Installation
6. 2.5"SSD / 3.5"HDD Installation
7. PCI-E Cable
8. Fan Installation
9. Digital RGB Fan Installation For Motherboard

# Specifications

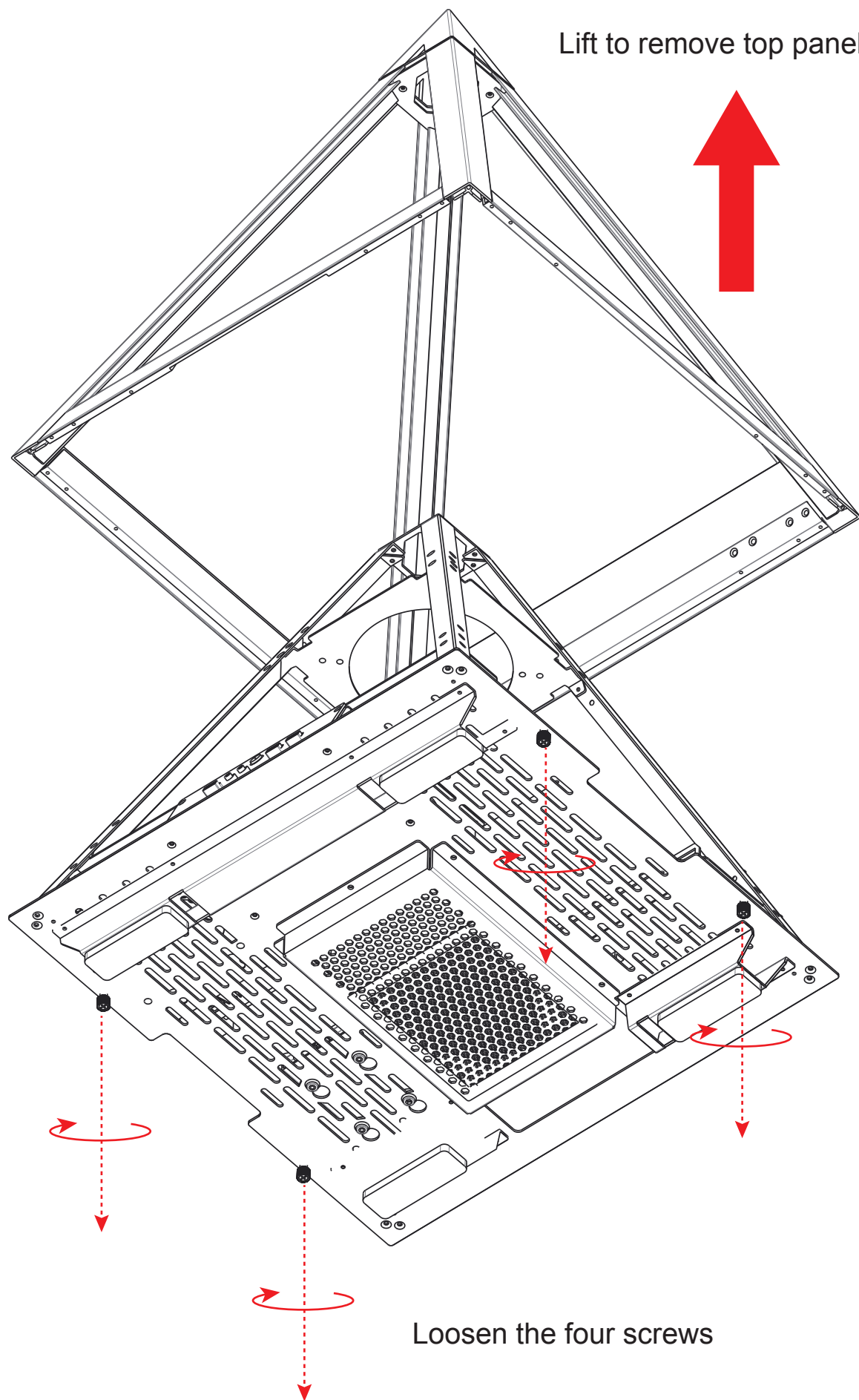
Model	
Model Name:	PYRAMID 804L
Model Number:	CSAZ-804L
Specifications	
Type:	ATX Tower
Color:	1.5~2.0mm SPCC+ 2.5mm Aluminum
Side Panel Window:	4 sides panel are tempered glass
Max. CPU Cooler Height:	UP to 95mm
Max. GPU Length:	L=330 mm / W=150 mm / H=70 mm (Horizontal)
Power Supply:	ATX
Motherboard Compatibility:	<305x280mm E-ATX 、 ATX 、 Micro ATX 、 Mini-ITX
Expansion	
External 5.25" Drive Bays:	0
Internal 2.5" Drive Bays:	Up to 2
Internal 3.5" Drive Bays:	Up to 1 (Convertible with 2.5"SSDx1 )
Expansion Slots:	3
Front Ports:	2xUSB 3.0 、 HD Audio 、 Type C 、 Metal power button
Physical Specifications	
Metal Chassis Dimensions (HxWxD)	558x490x490/22x19.3x19.3 inch
Dimention with Case Stand(HxWxD)	589x490x490mm/23.2x19.3x19.3 inch
Weight:	14.1kg /31.1lbs
Features	
Tempered Glass Side Window:	High-quality tempered glass side window allows for clear visuals to inner components.
Available Fan Ports:	1 x 120mm or 1x140 fan ports in the top(1 x 120mm Hurricane II Digital RGB Fan included ) 6 x 120mm fan ports on the bottom
Water Cooling:	Supports radiator up to 360mm on the botton.
Isolated Chamber:	ATX Power supply inside its own isolated chamber, preventing its heat from affecting other components.
Easy Installation Cooler:	A pre-cut hole for easy installation of CPU Cooler, eliminating the need to remove the motherboard.
Accessories:	20cm PCI-E 3.0 extension cable for VGA card(Support EATX 、 ATX MB) Adjustable video card holder

# Chassis parts



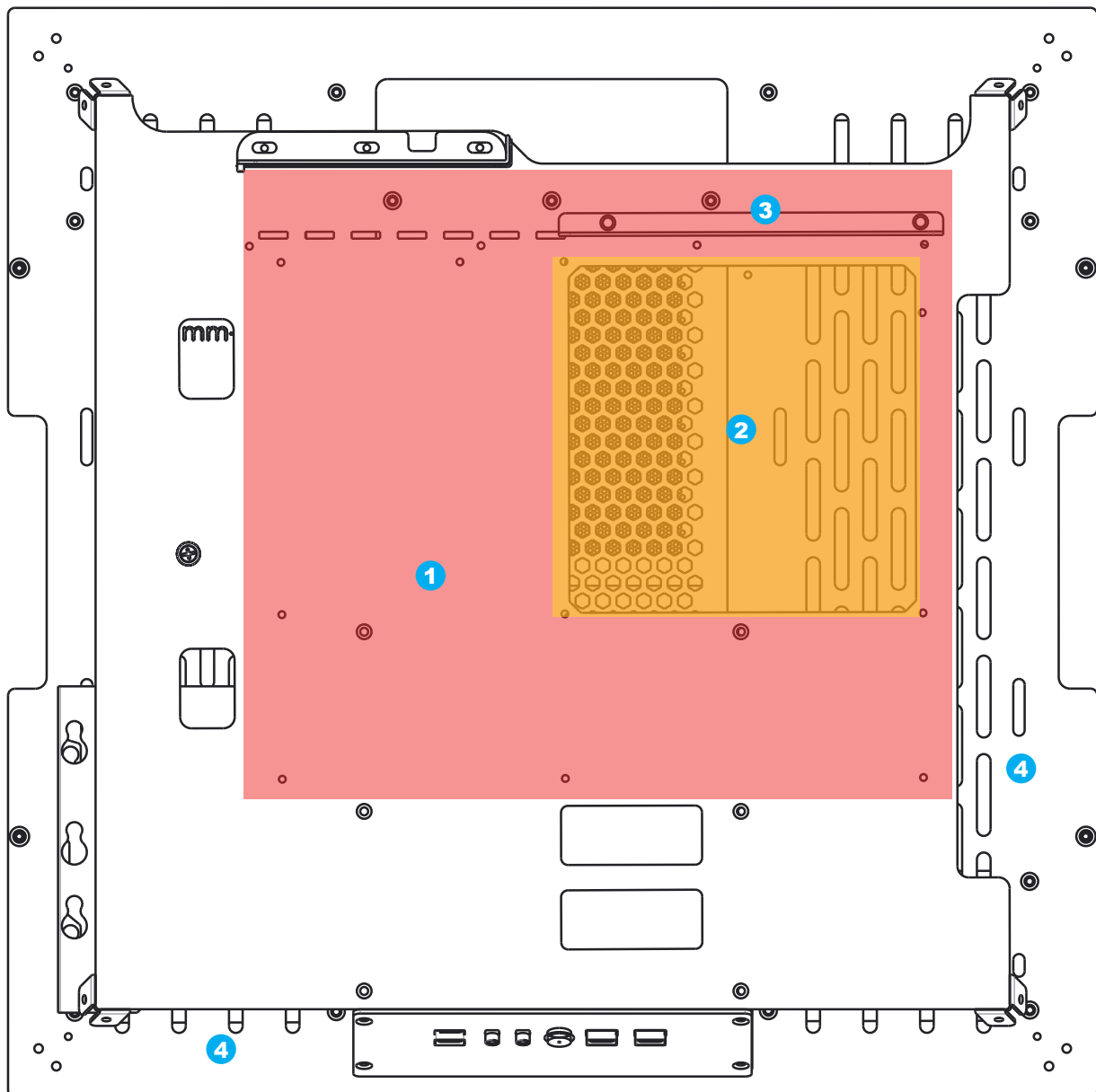
1	TOP tempered glass panel cover	7	Horizontal PCIe slot
2	Pyramid structure	8	I/O Ports: USB 3.0 x 2 , Type C, HD Audio
3	120mm/140mm fan bracket	9	Spring bolt screw of top panel cover
4	12cm ARGB Fan	10	Fan cable management cover
5	Adiustable video card holder	11	2.5"SSD brackets X1
6	Power supply rack	12	3.5"HDD /2.5"SSD spring bolt tray X1

# Removing The Top Glass Panel



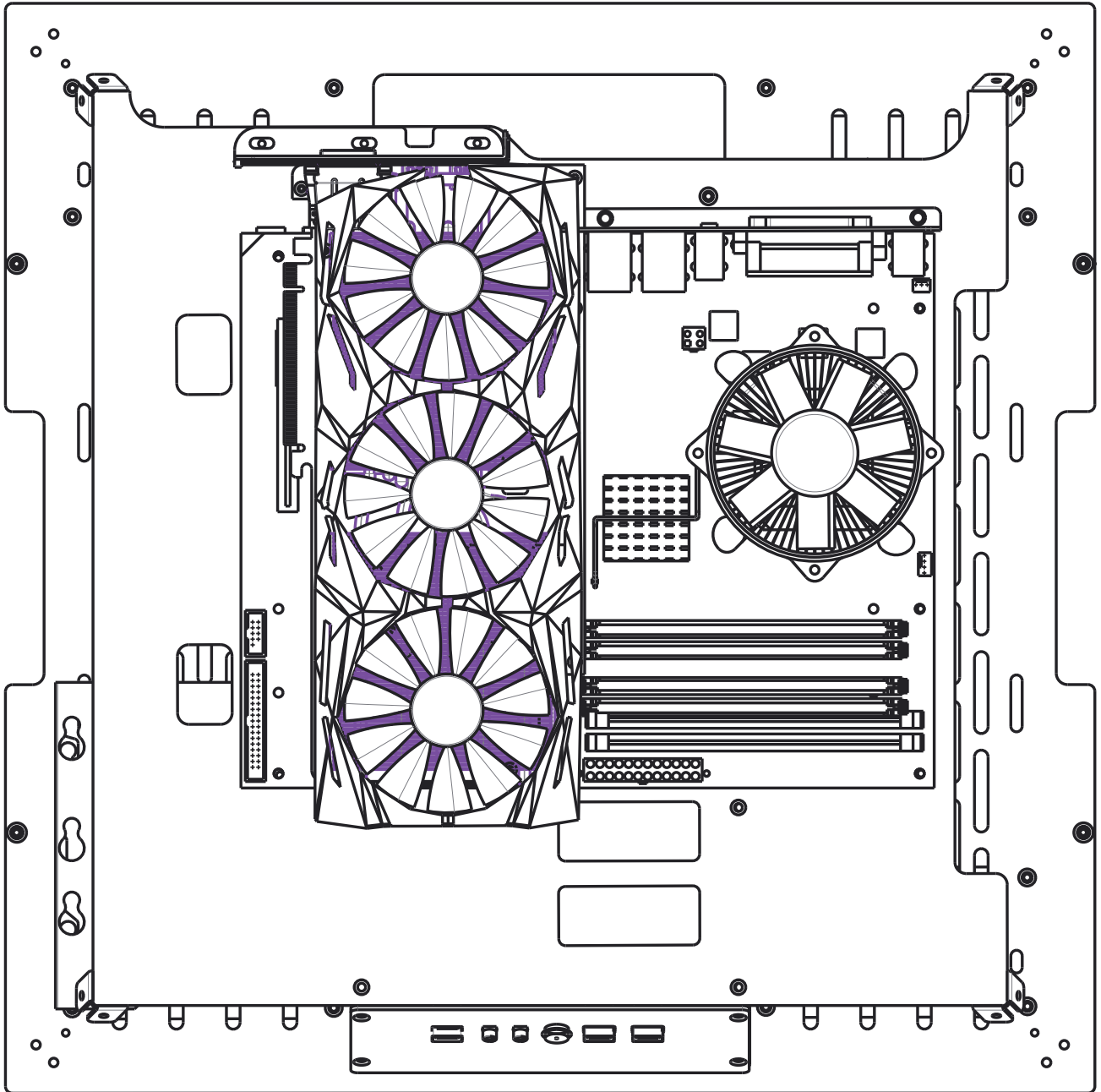
# Overview

---

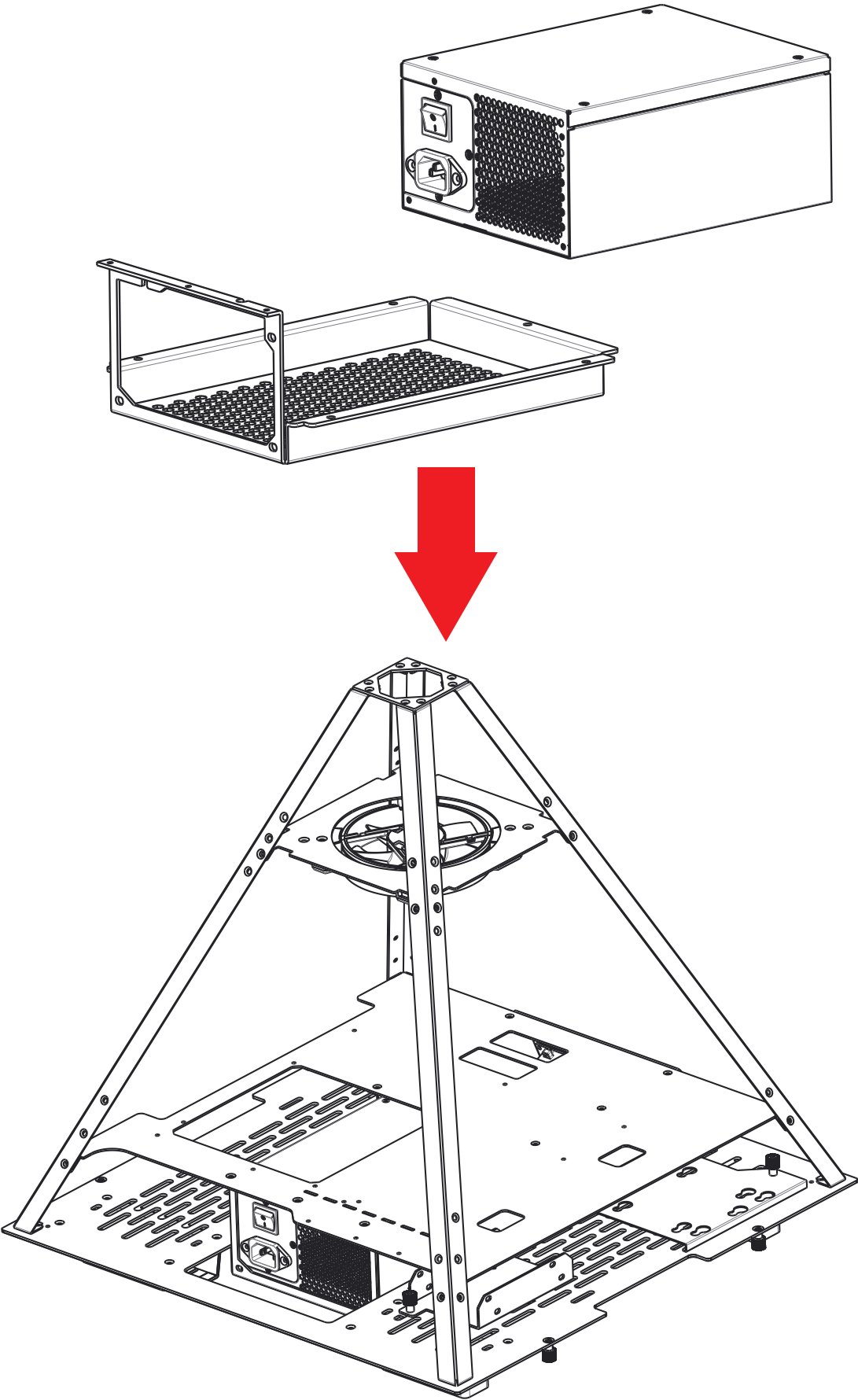


- 1 motherboard mount
- 2 Pre-cut hole for CPU cooling
- 3 Power cord management hole
- 4 Water radiator management hole

# Overview

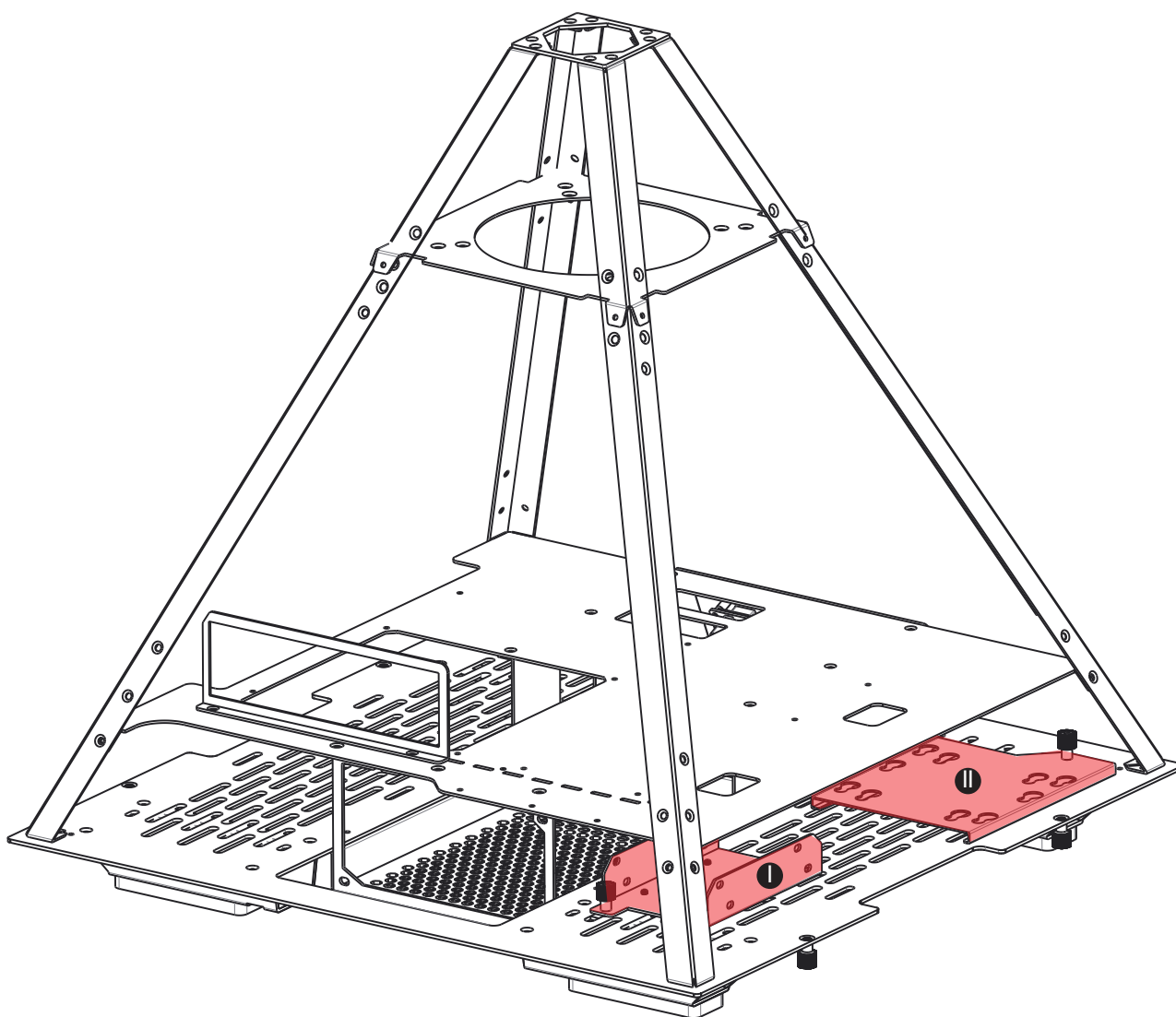


# Power Supply Installation





## 2.5"SSD / 3.5"HDD Installation



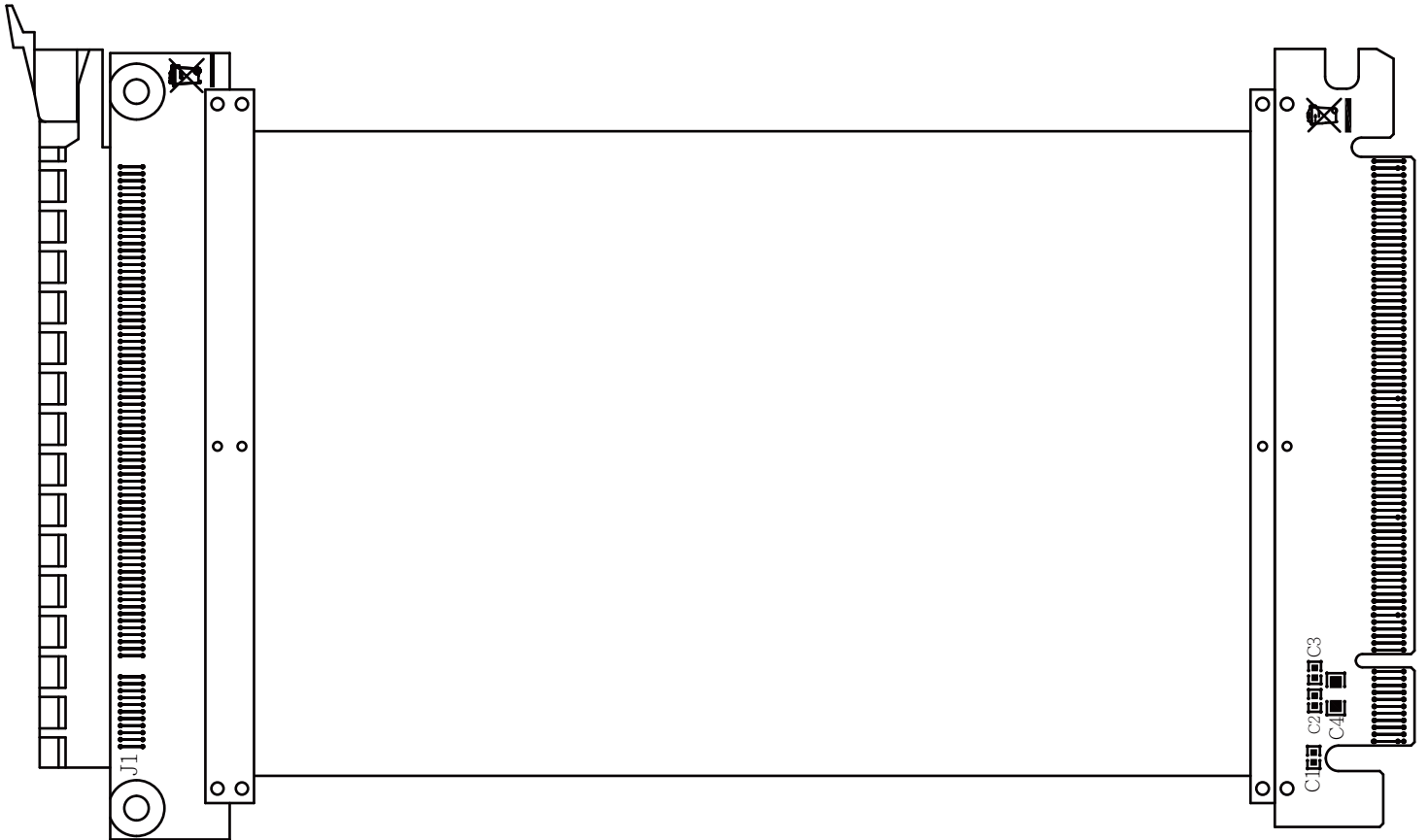
(I) 2.5" SSD spring bolt tray: Supports up to 2.5" SSD x 2

(II) 3.5" HDD spring bolt tray: Supports 3.5 HDD x 1  
(also compatible with a 2.5" SSD)

Supports up to 3 x 120mm fan or 360mm radiator on the hard drive bay

## PCI-E Cable

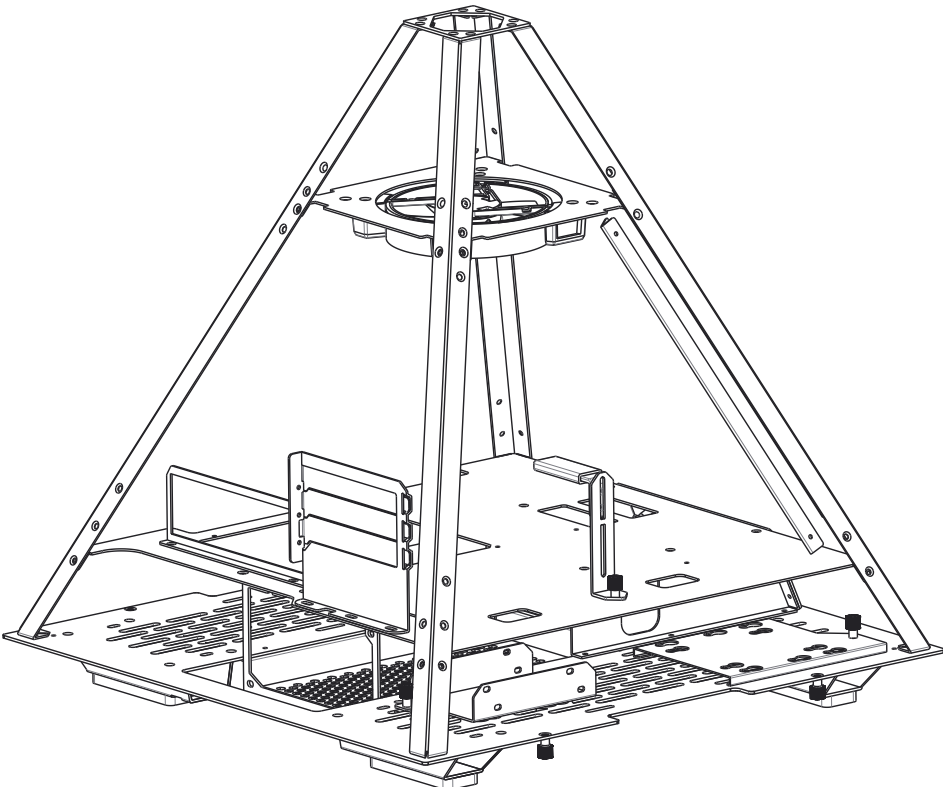
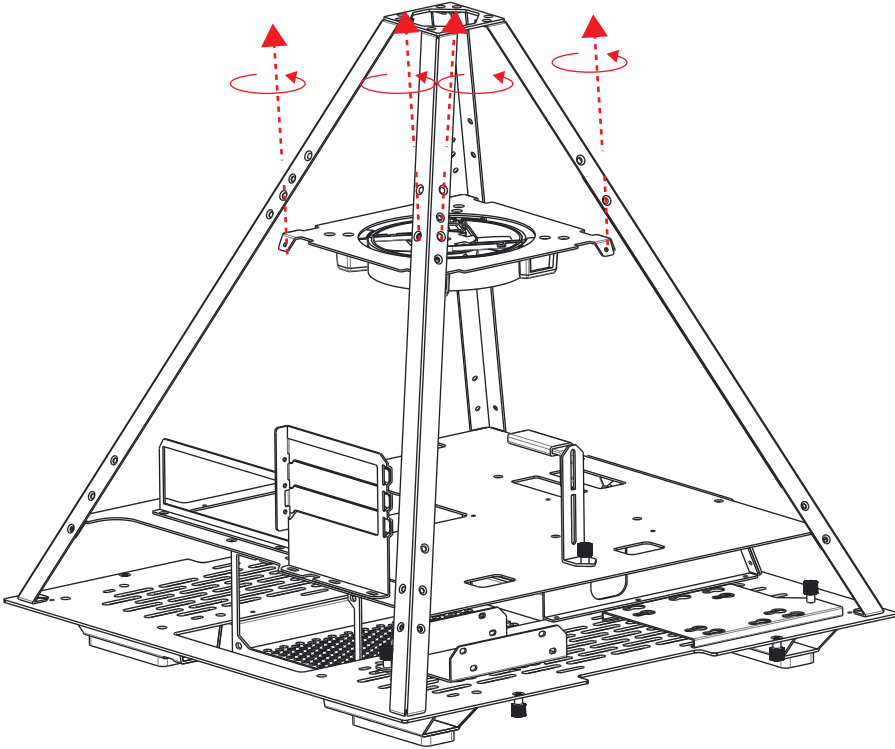
---



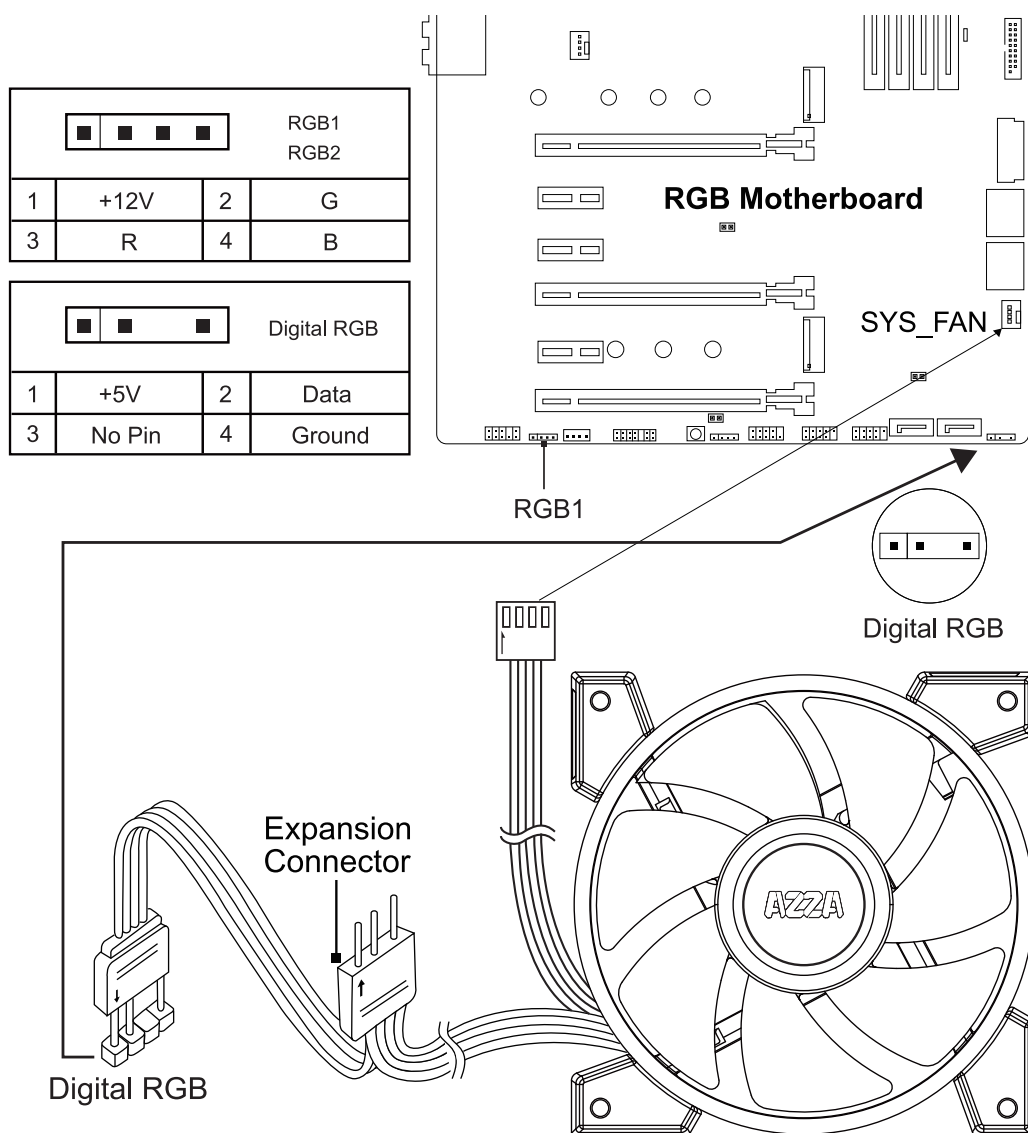
### 200 mm PCI-E 3.0 Cable(Support EATX 、 ATX Motherboard)

To fix potential compatibility issues with PCI-e Gen 4.0, please connect your graphics card directly to the motherboard, enter the BIOS, and change the PCI-e x16 mode to 3.0 before using the RGB PCI-e cable.

# Fan Installation



# Digital RGB Fan Installation For Motherboard



The addressable RGB fans can connect directly to the 5V addressable RGB headers of compatible motherboards, such as those from MSI™, ASUS™, Gigabyte™ and AsRock™.

Please note: Only 5V addressable headers from compatible motherboards are supported. Please do NOT connect the fan to a 12V non-addressable header.

Please check your motherboard's specifications before use. Do not go past the motherboard's allowed limits on power rating and LED count when connecting multiple fans/LED strips.

**AZZA**  
ONE VISION. ONE MISSION