

cast

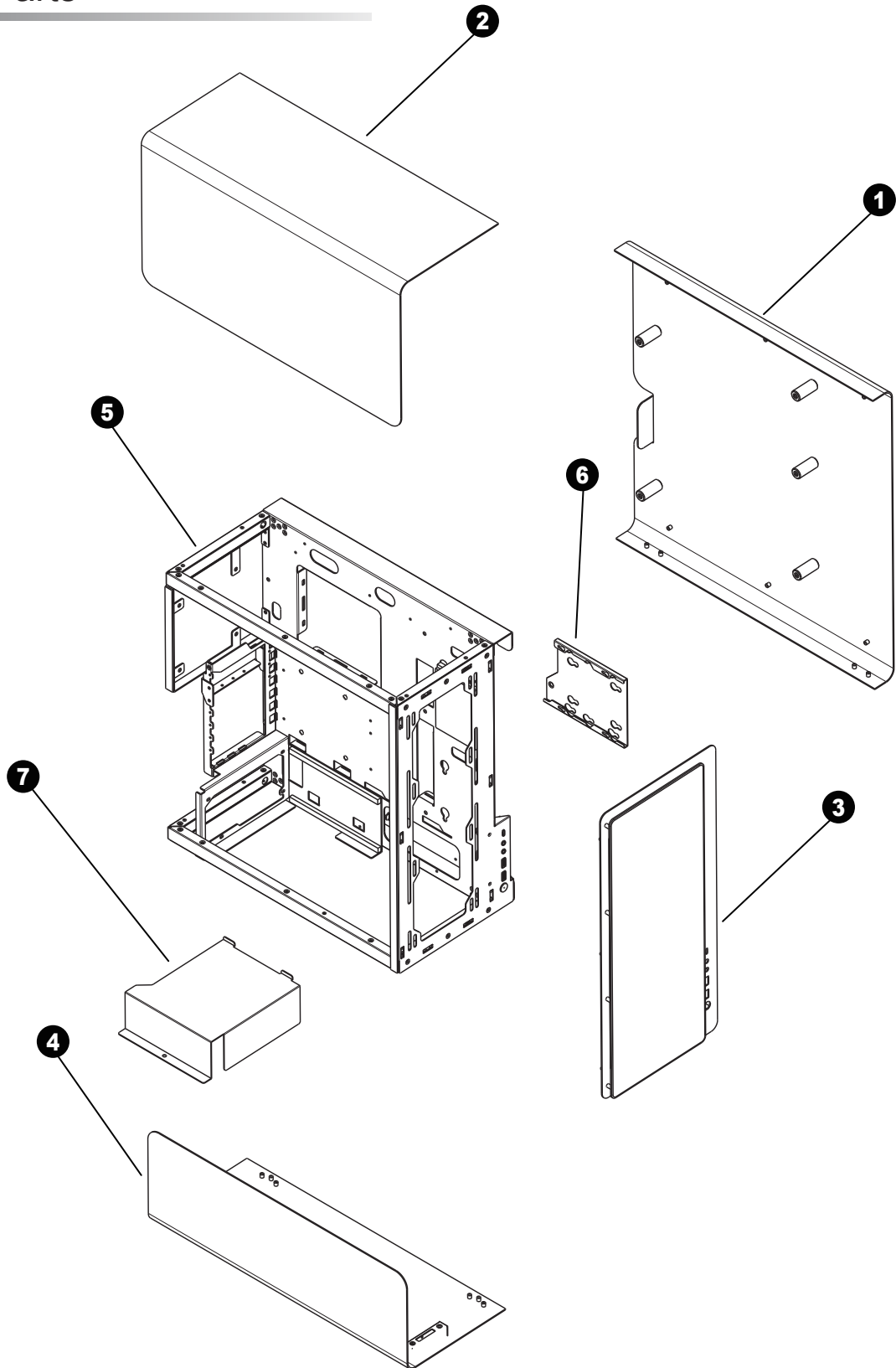
USER MANUAL

1. Specifications
2. Chassis Parts
3. Control Panel Functions
4. Removing Panels
5. Separate the Bareness Chassis
6. Hard Drives Installation
7. Cooling System Installation
8. AZZA Hurricane II Digital RGB Fan Installation For Motherboard

Specifications

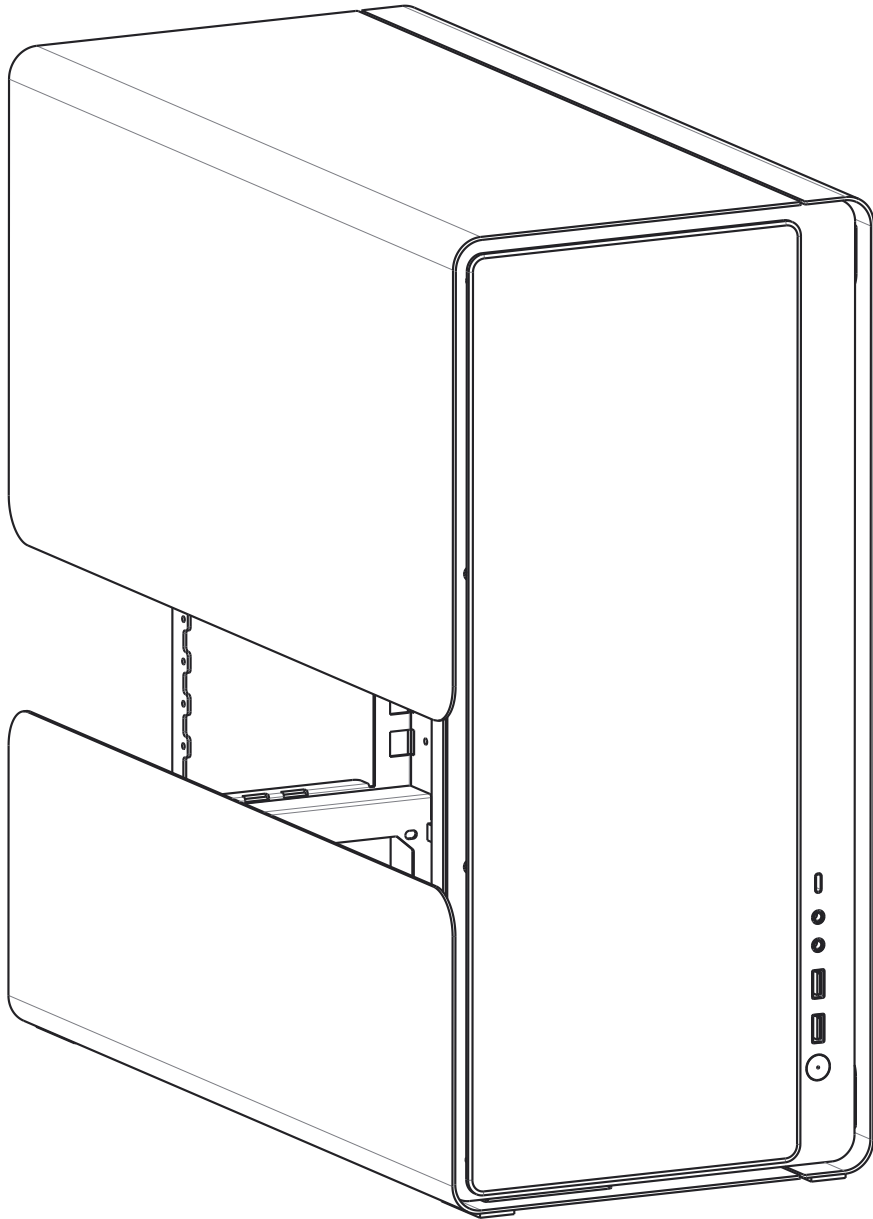
Model	
Model Name:	Cast
Model Number:	CSAZ-808 W/CSAZ-808 B
Specifications	
Type:	ATX Mid Tower
Color:	White, Black
Side Panel Window:	Top panel: Aluminum wing Bottom panel: Aluminum wing Rear panel: Steel plate Front panel: Aluminum plates
Max CPU Cooler Height:	UP to 160 mm
Max GPU Length:	Up to 360 mm long video card (Horizontal/ Vertical)
Motherboard Compatibility:	ATX
Power Supply:	ATX
Cable Routing Space:	35mm
Radiator Mounting:	360mm radiator in the front
Available Fan Ports:	3x120mm or 2x140mm Fan ports in the front 1x120mm fan ports in the rear (1xHurricane II Digital RGB Fan included)
Expansion	
External 5.25" Drive Bays:	0
Internal 2.5" Drive Bays:	Up to 3 (Convertible with 3.5"HDDx1)
Internal 3.5" Drive Bays:	Up to 1
Expansion Slots:	6 (6 slots horizontal or 3 slots vertical)
Front I/O Ports:	Power button, HD Audio, USB 3.0 x 2, Type C
Physical Specifications	
Metal Chassis Dimensions (HxWxD)	470x220x460mm /18.5x8.6x18.1 inches
Weight:	10.9 kg /24.03 Lbs
Features	
Outer Appearance:	All external panels are made of aluminum, the open chassis makes assembly and cleaning easier, and the gull-wing left side panel design makes it easy to adjust and clean on usually.
Digital RGB Light Effects:	Addressable RGB fan on the rear. All addressable RGB light devices controlled by motherboard.
Water Cooling:	Supports radiators up 360mm in the Front
Power Supply Support:	Bottom mounted ATX Power Supply



Chassis Parts






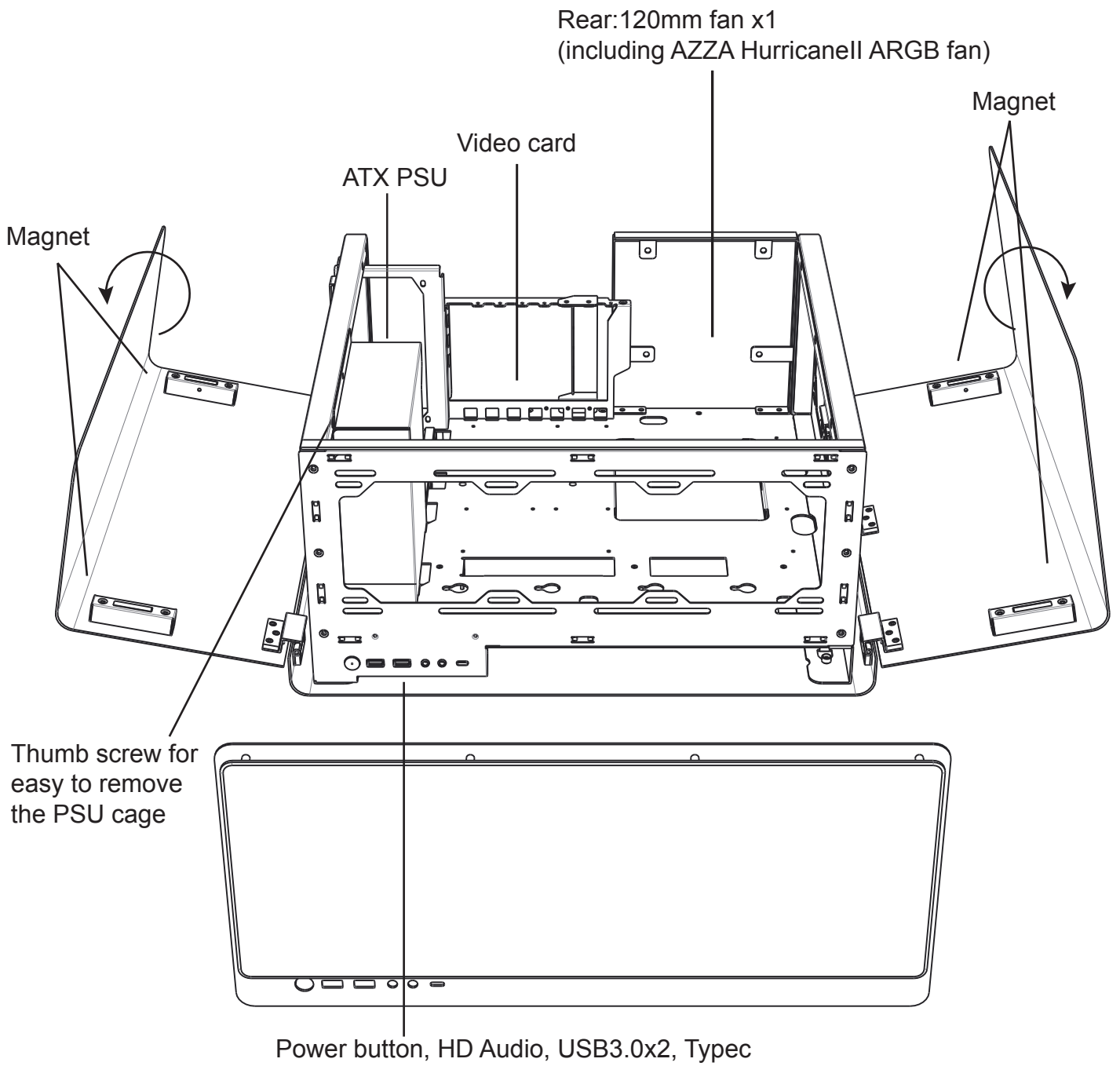
1	Aluminum right panel
2	Aluminum top wing panel
3	Aluminum front panel
4	Aluminum bottom wing panel
5	Bareness Chassis
6	3.5" HDD/ 2.5" SSD tray
7	Cable management cover for power supply

Control Panel Functions

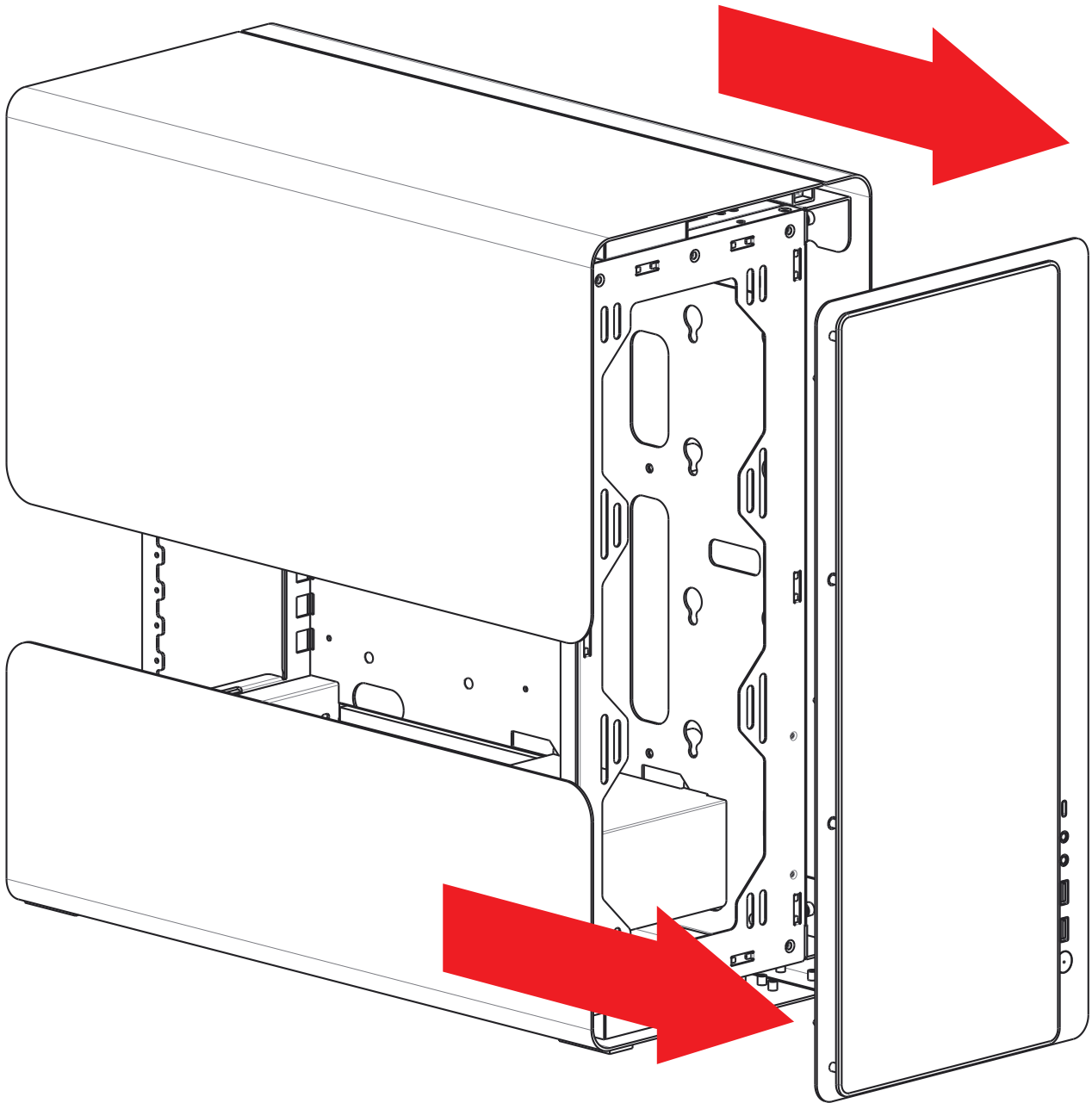


	POWER
	Audio
	Mic

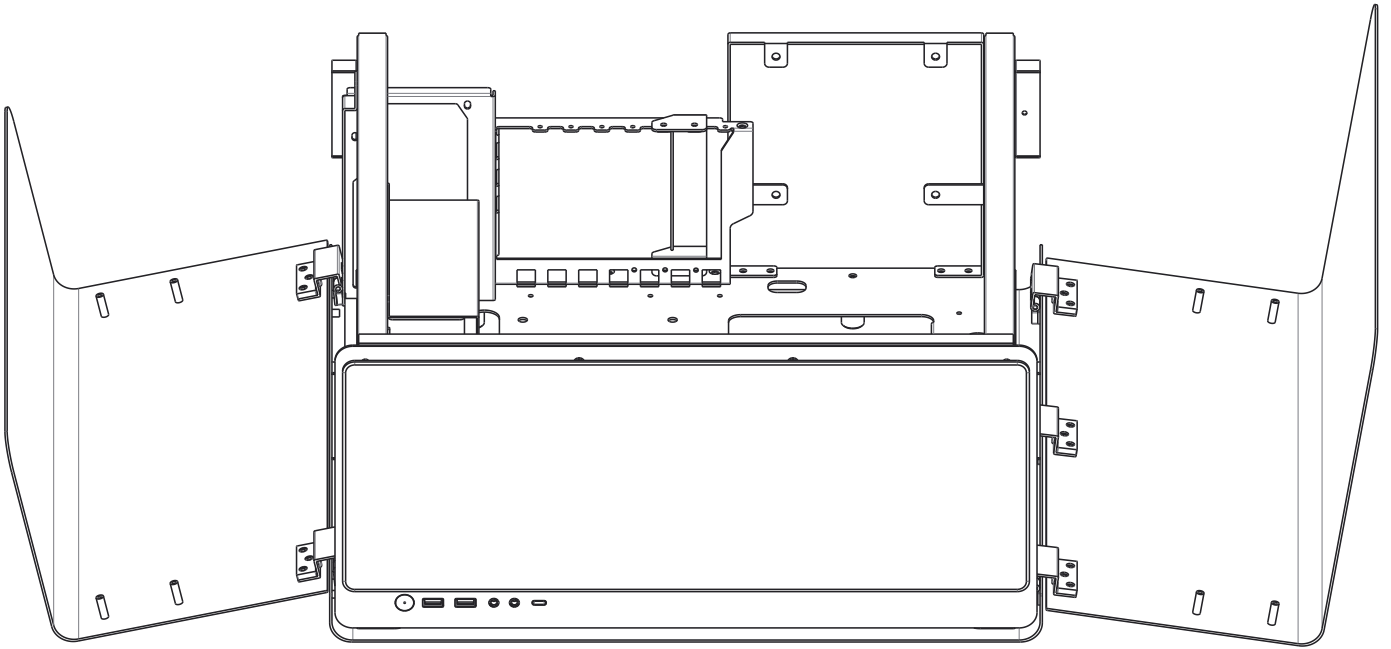
	USB 3.0 (Blue)
	USB 3.0 (Blue)
	Type C



Removing Panels



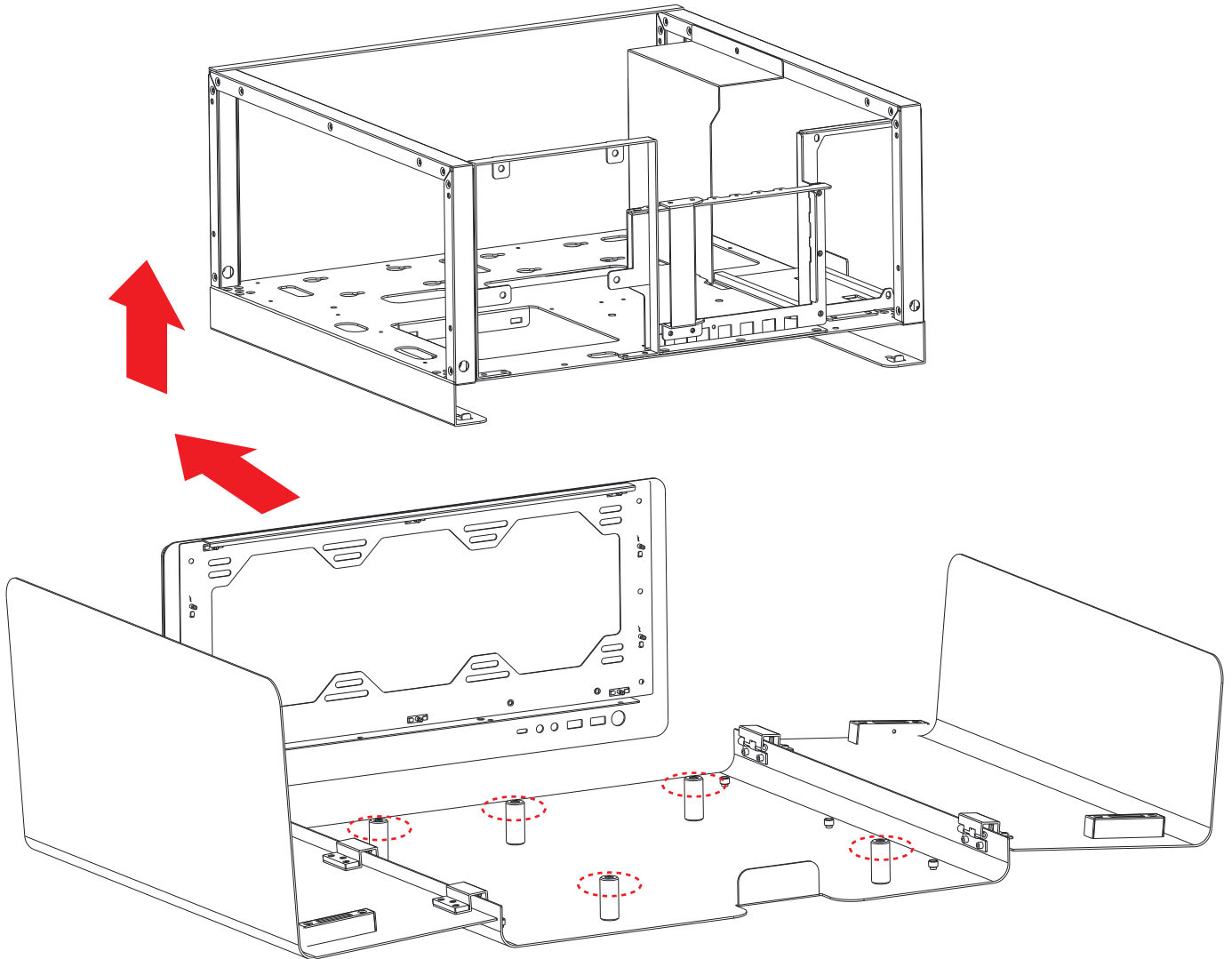
Removing Panels



Place it horizontally and open the top and bottom panels

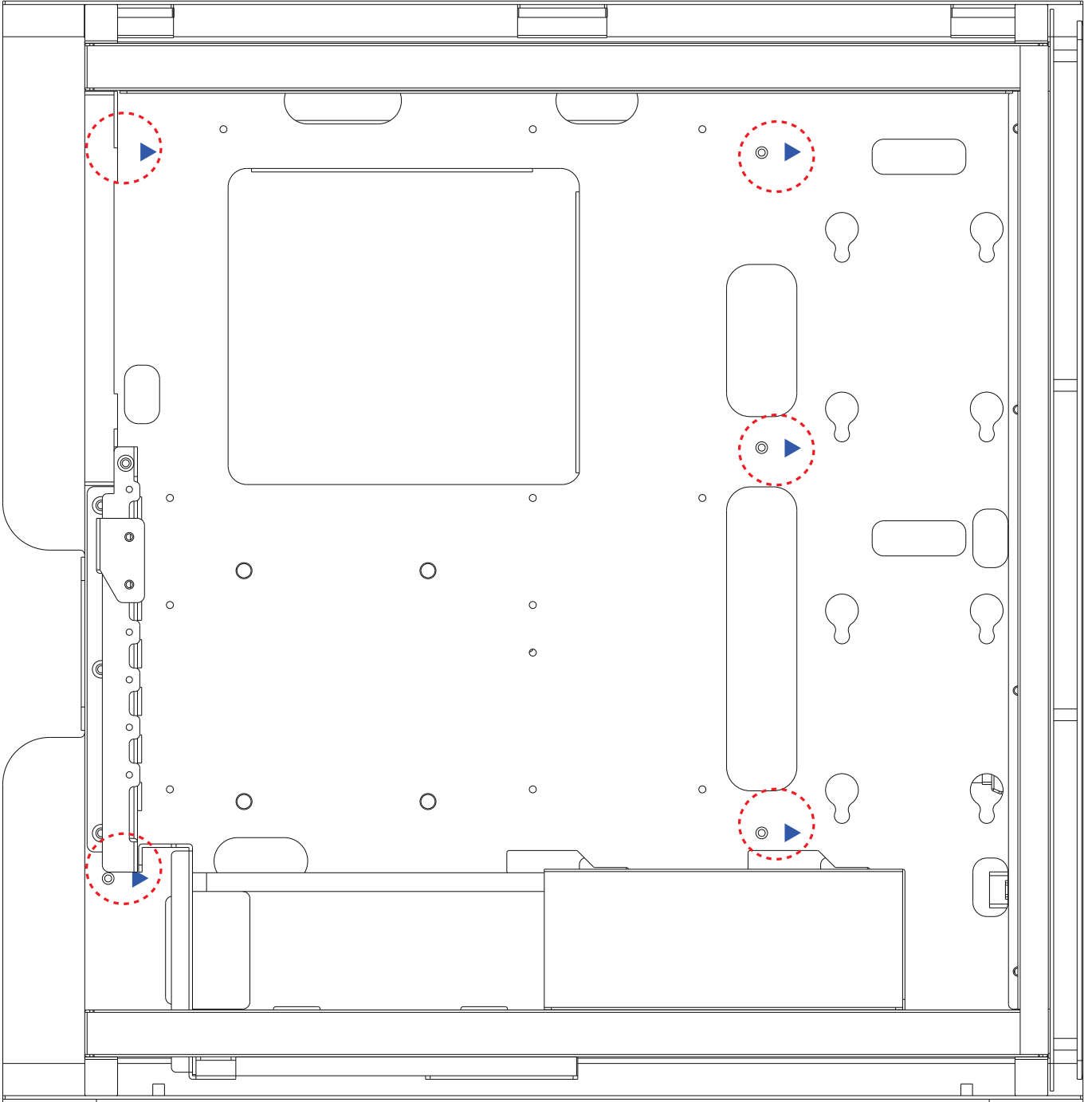
Separate the Bareness Chassis

bareness chassis can be separated.



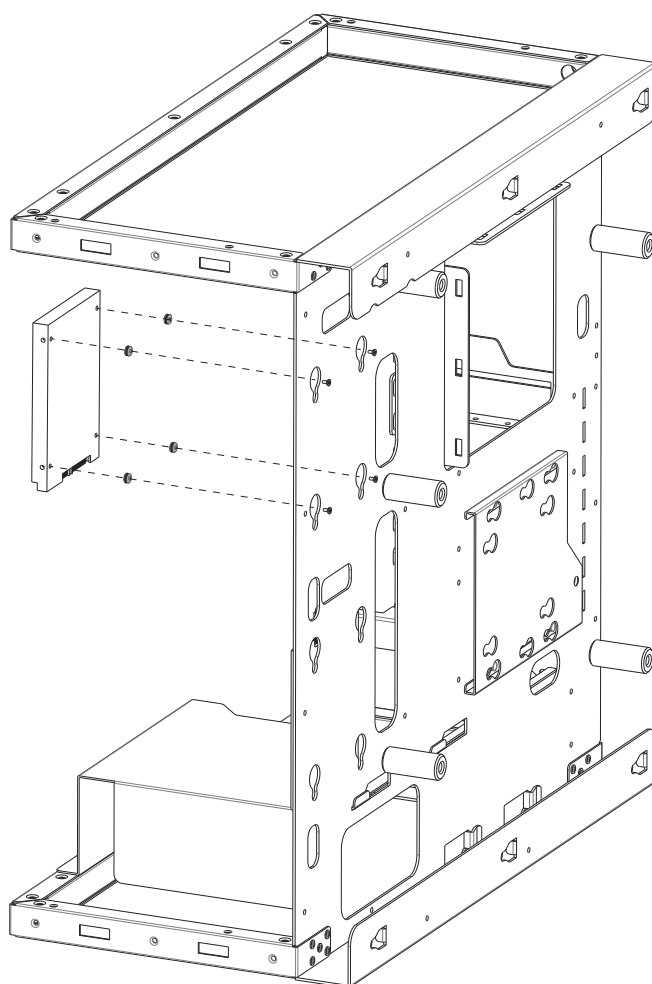
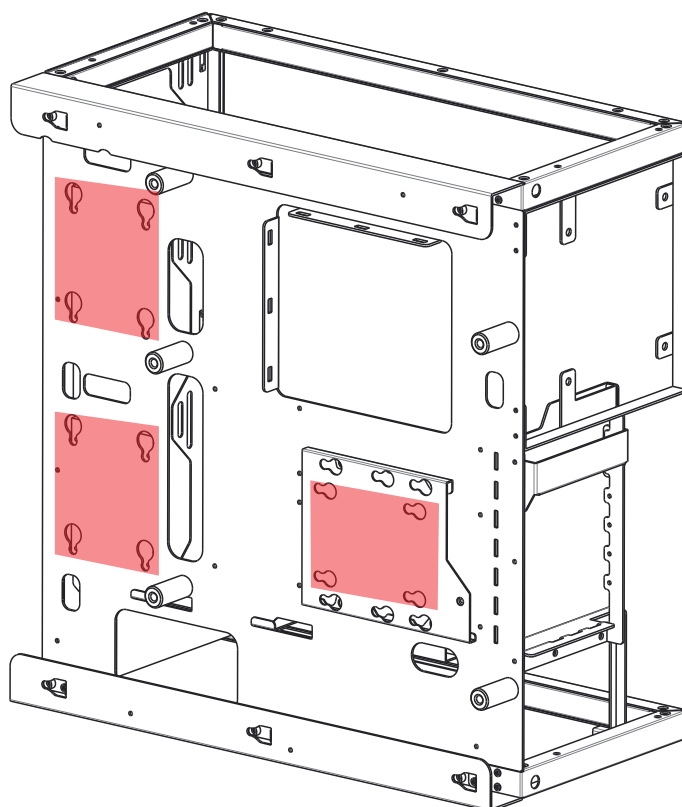
Loosen the five screws, pull the bareness chassis to the front panel direction and take off.

Separate the Bareness Chassis

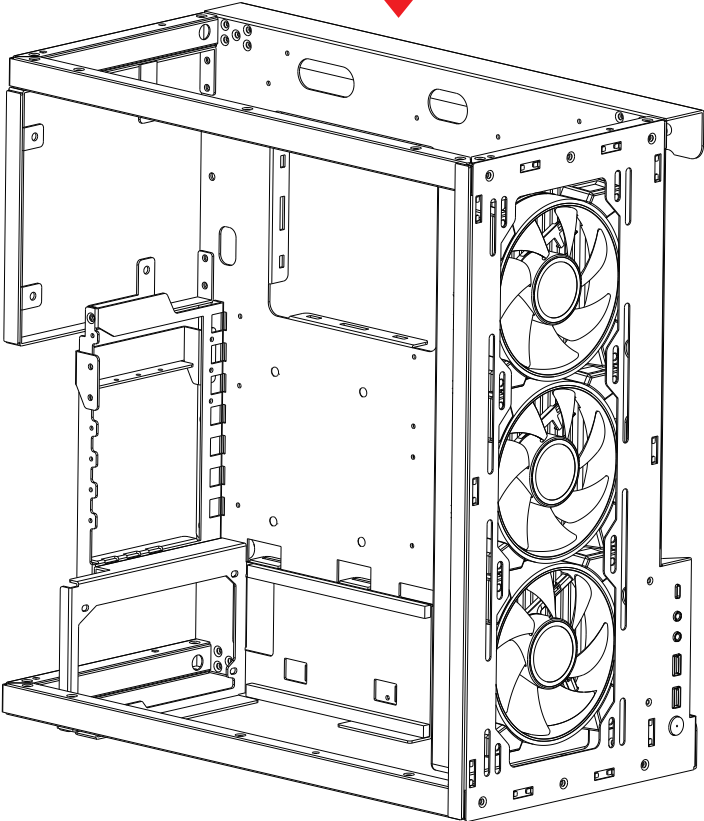
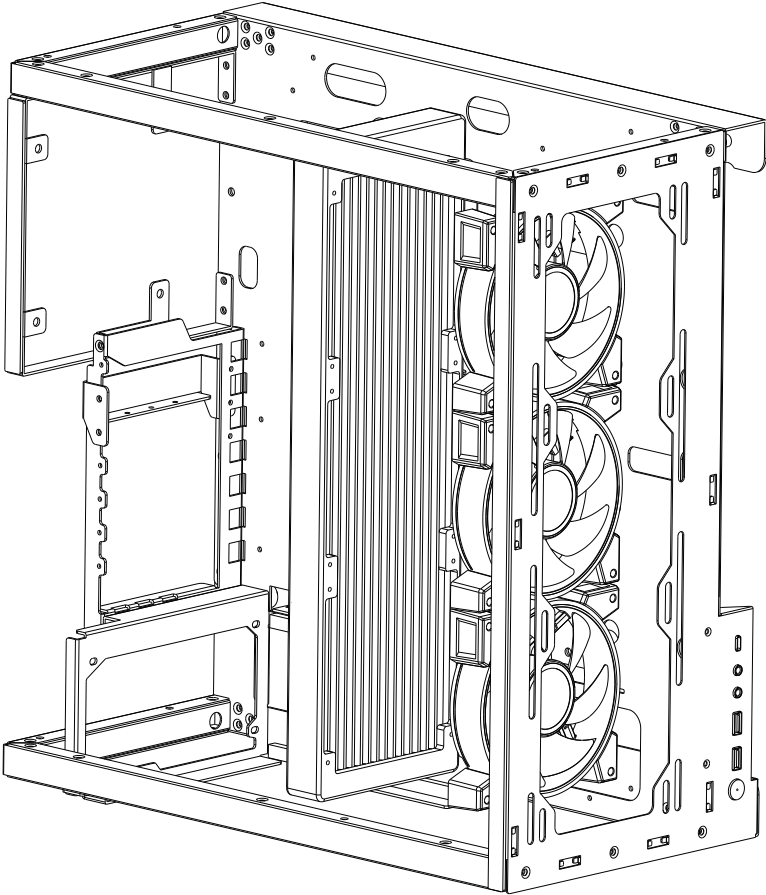


Loosen five screws at the arrow

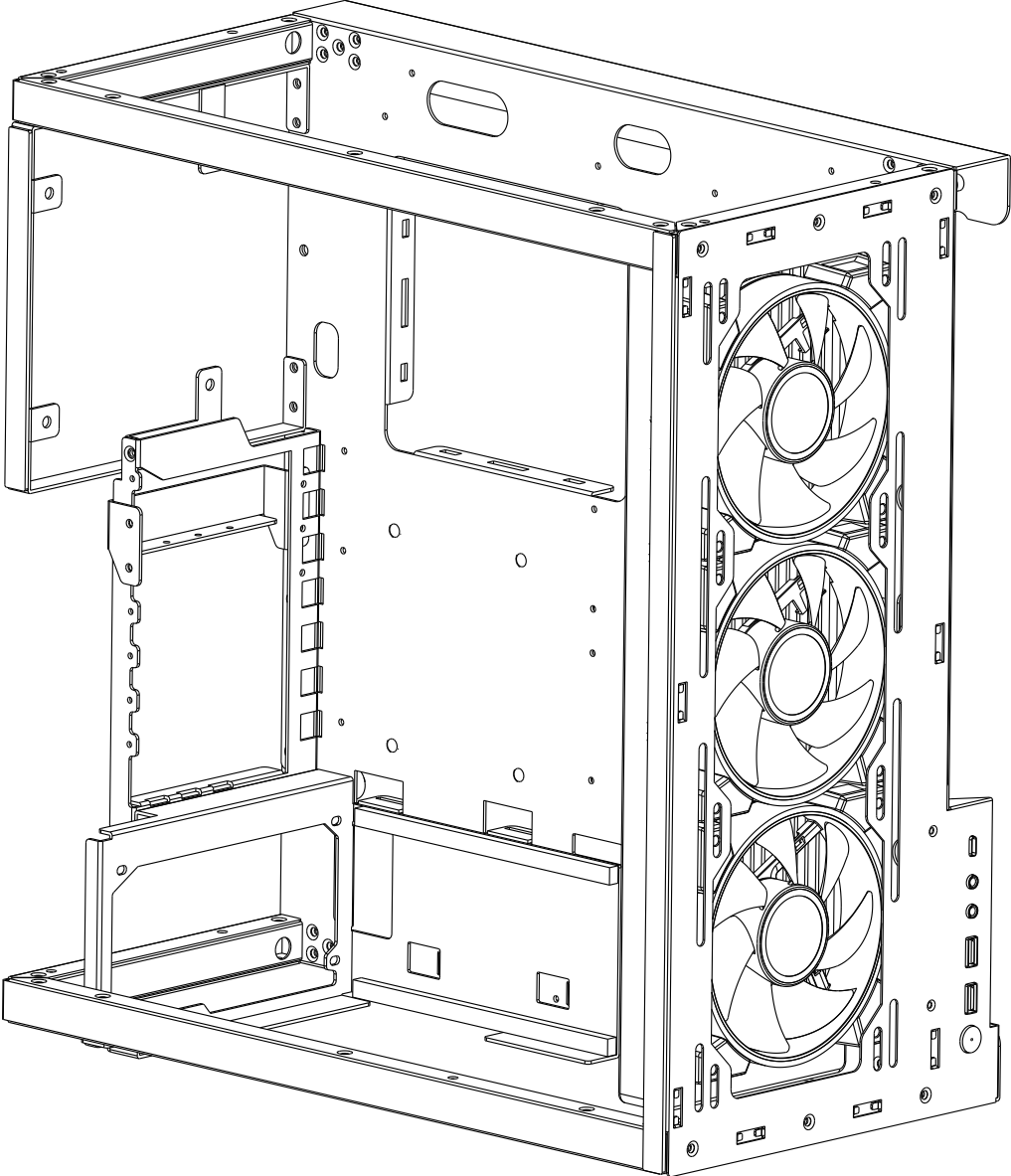
Hard Drives Installation



Cooling System Installation

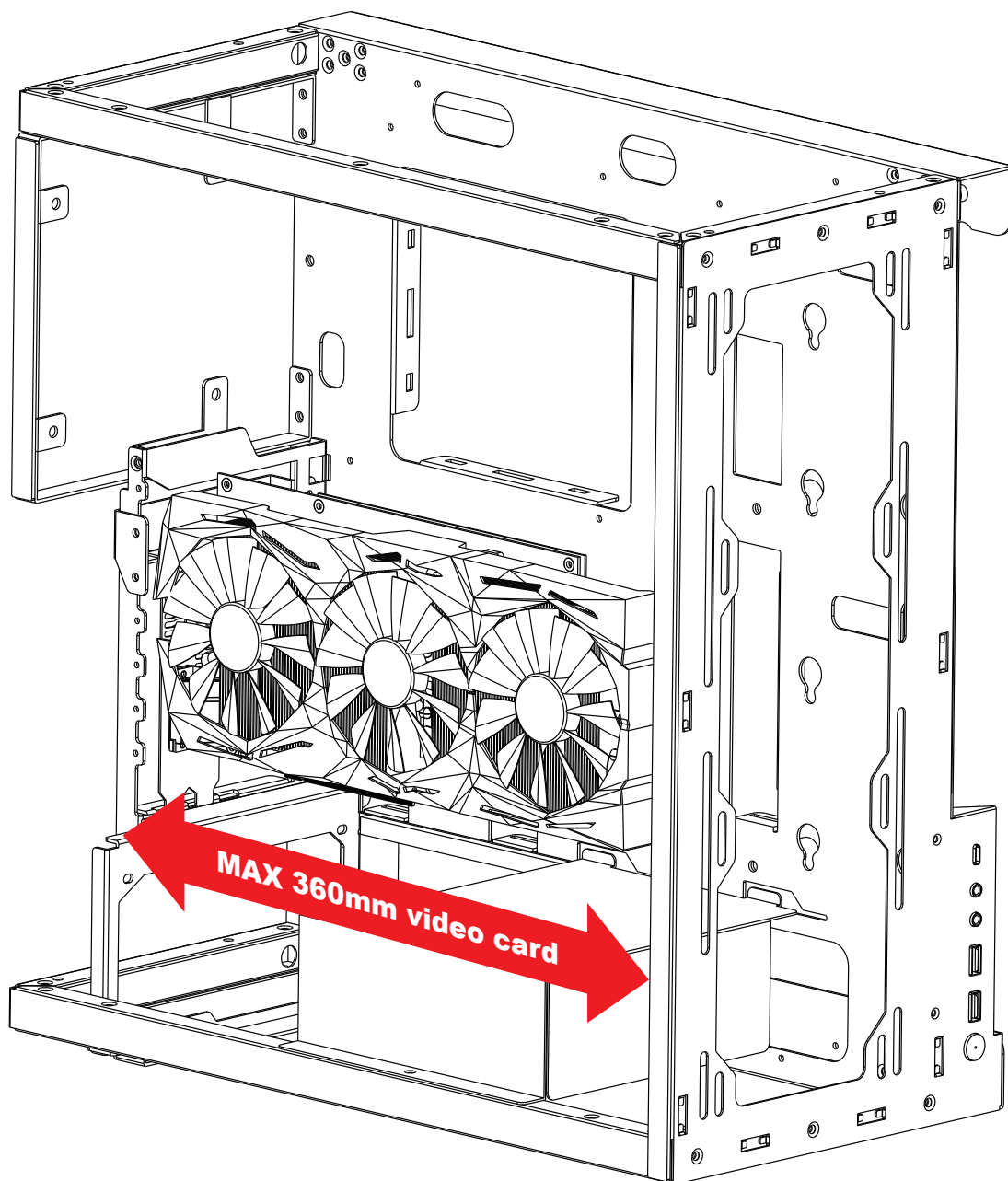


Cooling System Installation



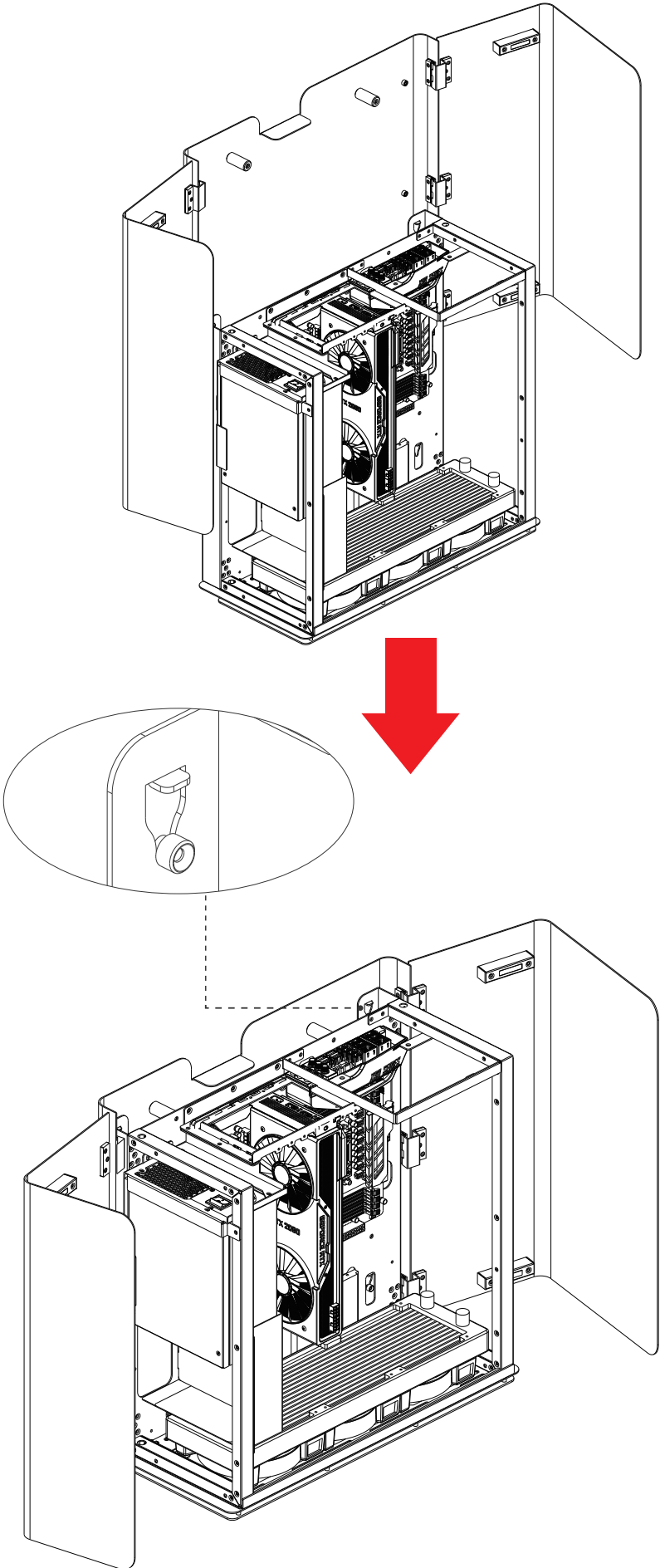
Max Height of
Radiator
360 mm

GPU Installation

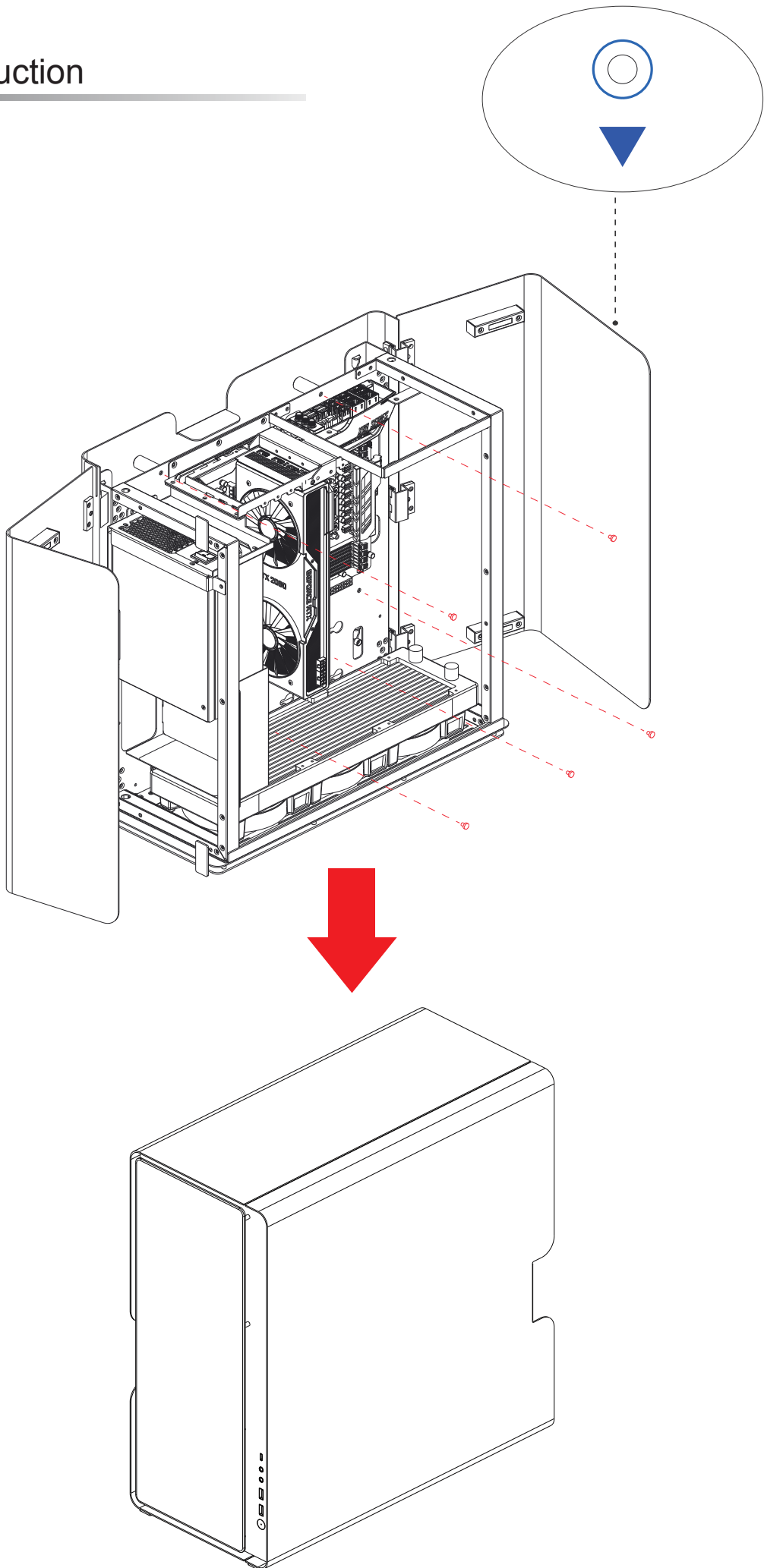


	With fan on the front	Without fan on the front
Max GPU Length	360mm	380mm

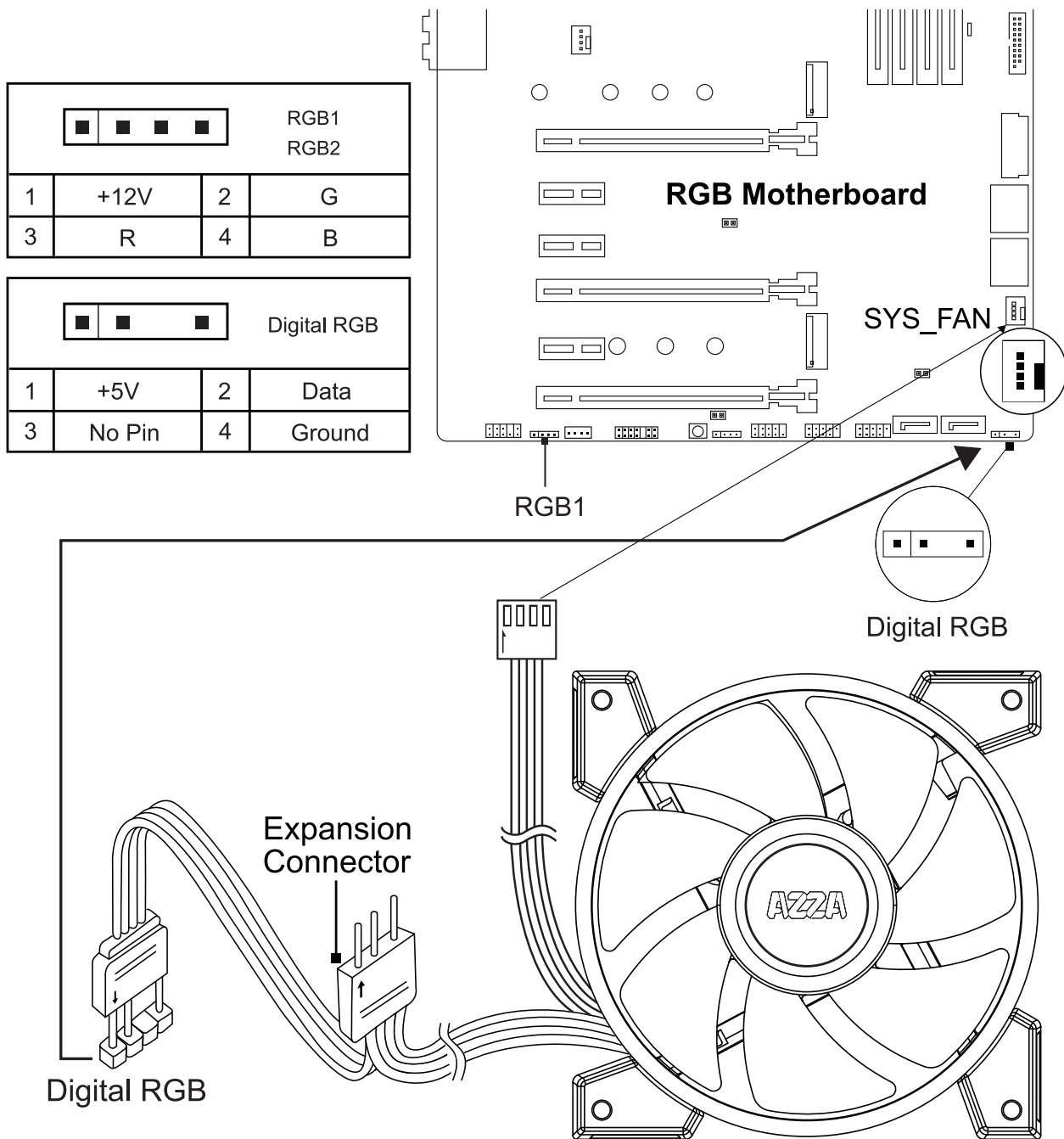
Install Instruction



Install Instruction



AZZA Hurricane II Digital RGB Fan Installation For Motherboard



WARNING!

The addressable RGB fans can connect directly to the 5V addressable headers of compatible motherboards, such as those from MSI™, ASUS™, Gigabyte™ and ASROCK™.

Please note: Only 5V addressable header from compatible motherboards are supported; please do not connect the fan to a 12V non-addressable header.

Please check your motherboard's specifications before use. Do not go past the motherboard's allowed limits on power ratings and LED count when connecting multiple fans / LED strips.

