



Blizzard

CPU Liquid Cooler

120_{mm} / 240_{mm} / 360_{mm}

LCAZ-120R-ARGB / LCAZ-240R-ARGB / LCAZ-360R-ARGB

USER MANUAL

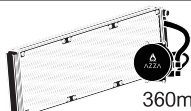
Package Contents



120mm x1



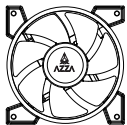
240mm x1



360mm x1

A

Fan:
Blizzard 120 x1
Blizzard 240 x2
Blizzard 360 x3



B

Intel fastener

x2



C

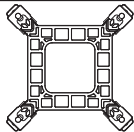
Intel 2011 Mounting screws x4



D

Intel bracket behind M/B

x1



E

Intel Fastener screws

x4



F

AMD Fastener

x2



G

AMD support bracket x2



H

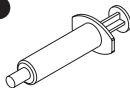
AMD Mounting screws x2



I

Thermal paste

x1



J

Fastener screws:
INTEL x 4 / AMD x4



K

Radiator screws:
Blizzard 120 x4
Blizzard 240 x8
Blizzard 360 x12



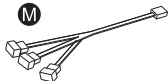
L

Fan screws:
Blizzard 120 x4
Blizzard 240 x8
Blizzard 360 x12



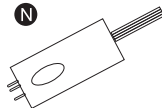
M

PWM Y-cable:
Blizzard 240 x1
Blizzard 360 x1



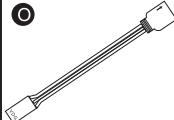
N

ARGB Controller x1



O

ARGB VDG cable x1

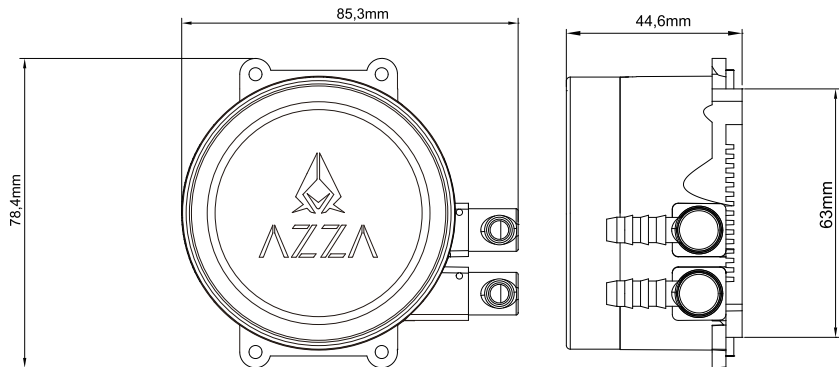


P

Double-sided tape x1



Pump Dimensions

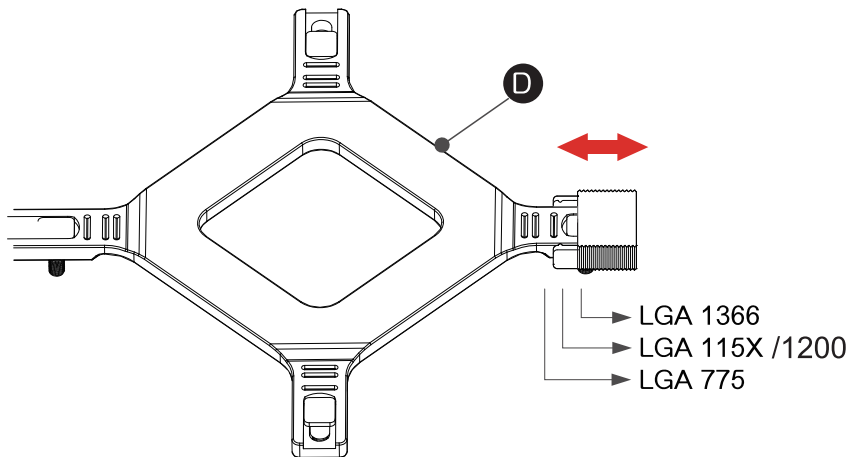


※AZZA provides a 3-year warranty toward the product.

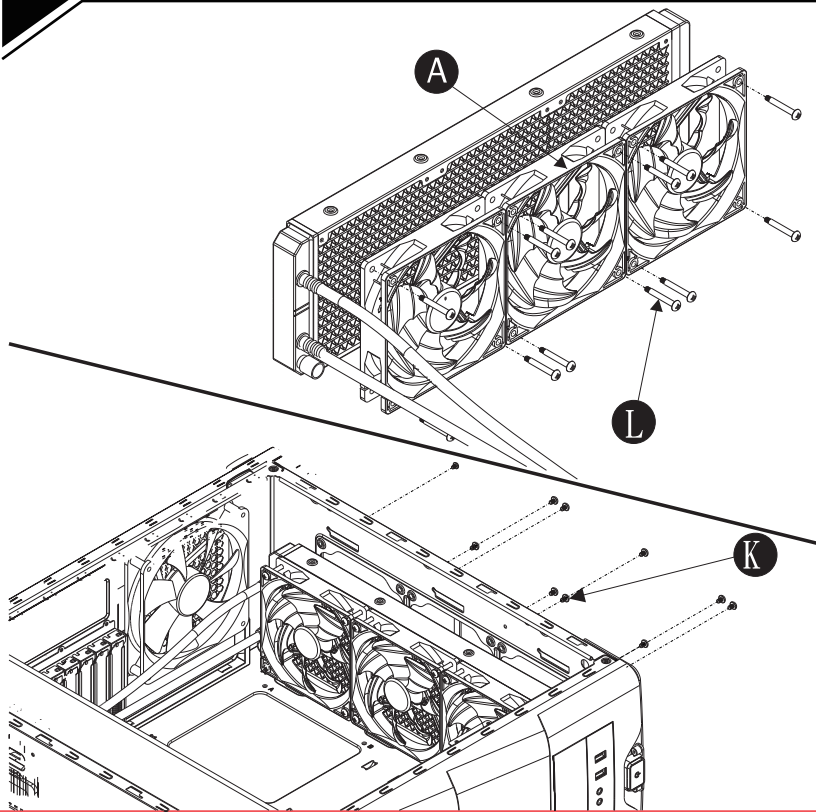
The warranty starts from your initial purchase (according to the date on your receipt).

Repair service does not cover man-caused damage.

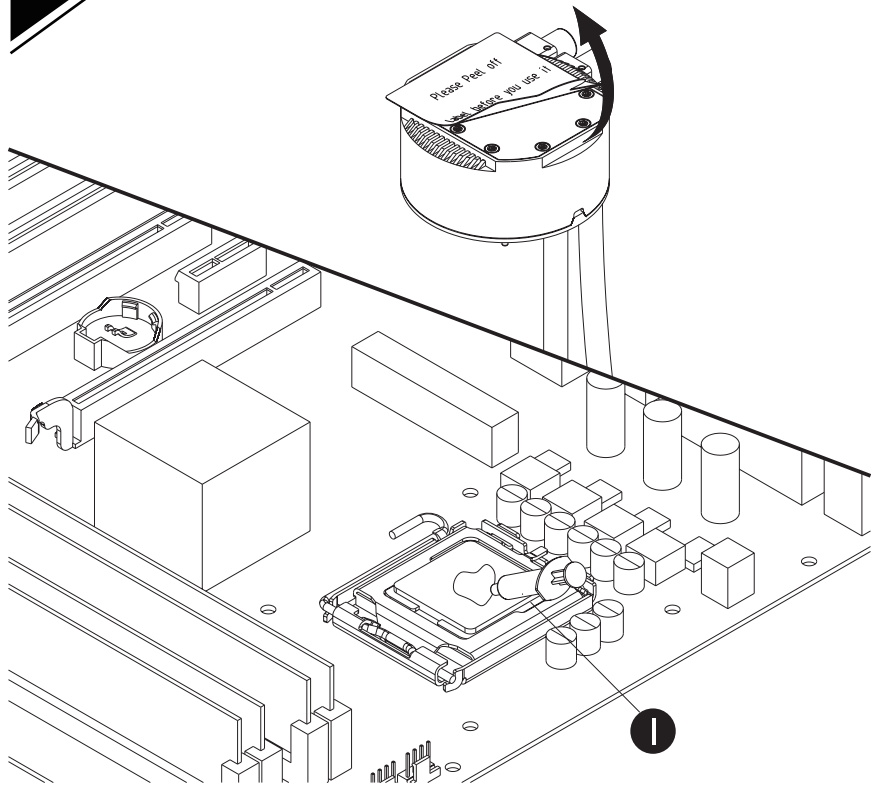
INTEL [LGA1366/ 115X/ 775] Bracket Behind M/B



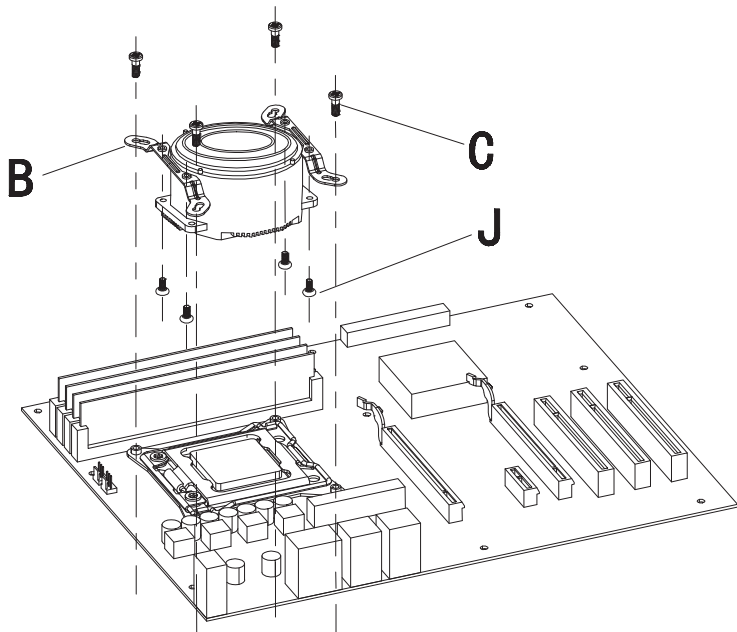
1. INTEL / AMD



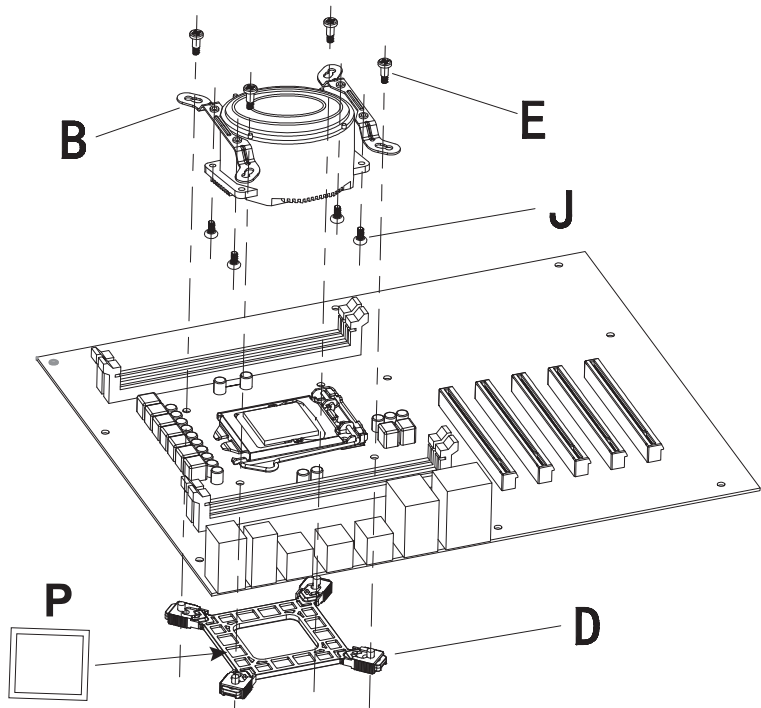
2. INTEL / AMD



3. INTEL [LGA2066/ 2011/ 2011-3]

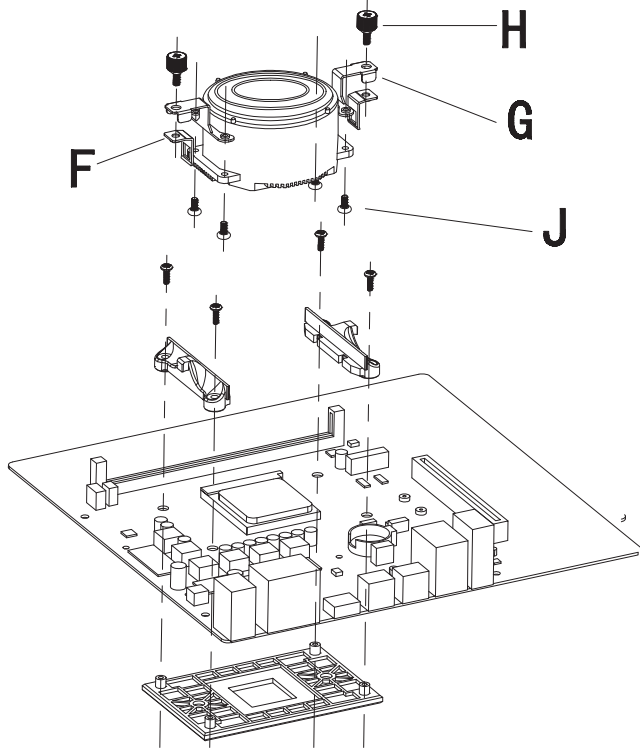


4. INTEL [LGA1366/ 115X/ 775]



※ Stick between the bracket and motherboard

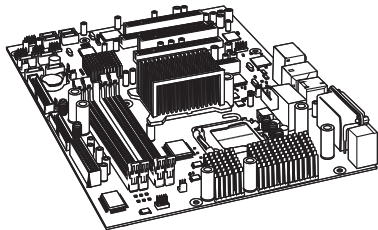
5. AMD



ARGB Motherboard Instruction

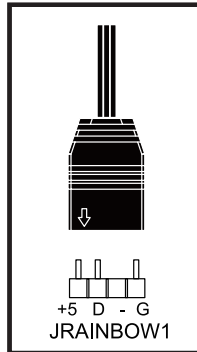
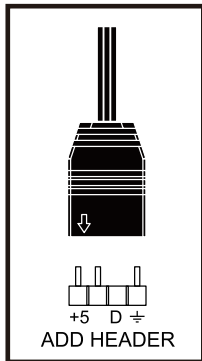
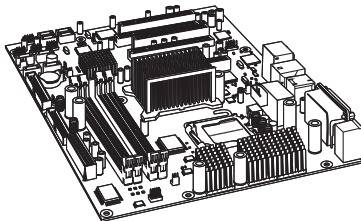
ASUS

(Sync software:
ASUS™ AURA SYNC)



MSI

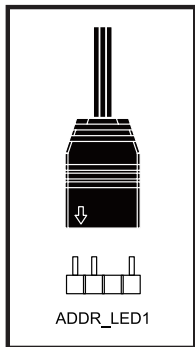
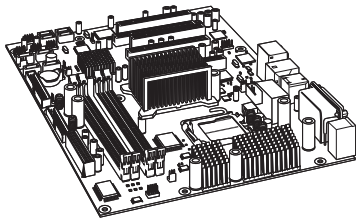
(Sync software:
MSI™ MYSTIC LIGHT SYNC)



ARGB Motherboard Instruction

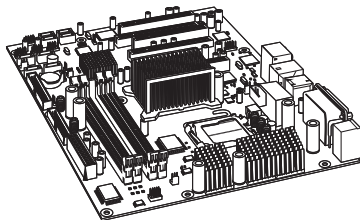
ASRock

(Sync software:
ASROCK™ POLYCHROME SYNC)

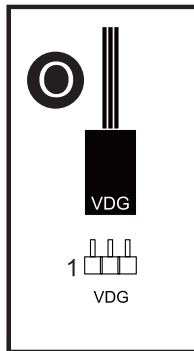


GIGABYTE

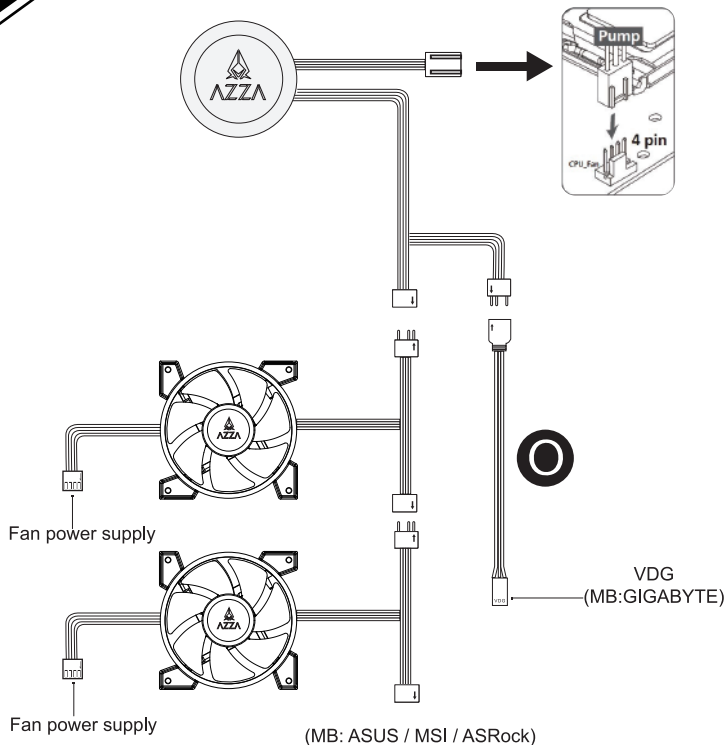
(Sync software:
GIGABYTE™ RGB FUSION)



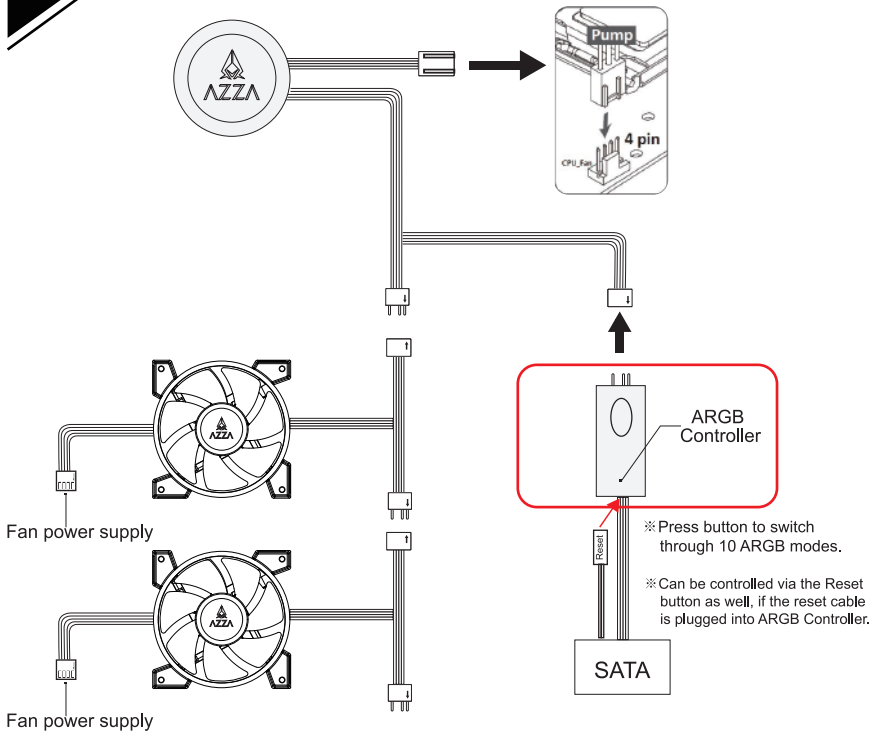
※ Please plug in the correct side, otherwise,
it can potentially cause damage.



ARGB Motherboard Connection



ARGB Controller Connection



PWM Y-Cable Instruction [Fan Power Supply]

