



**PYRAMID MINI 806**

**USER MANUAL**

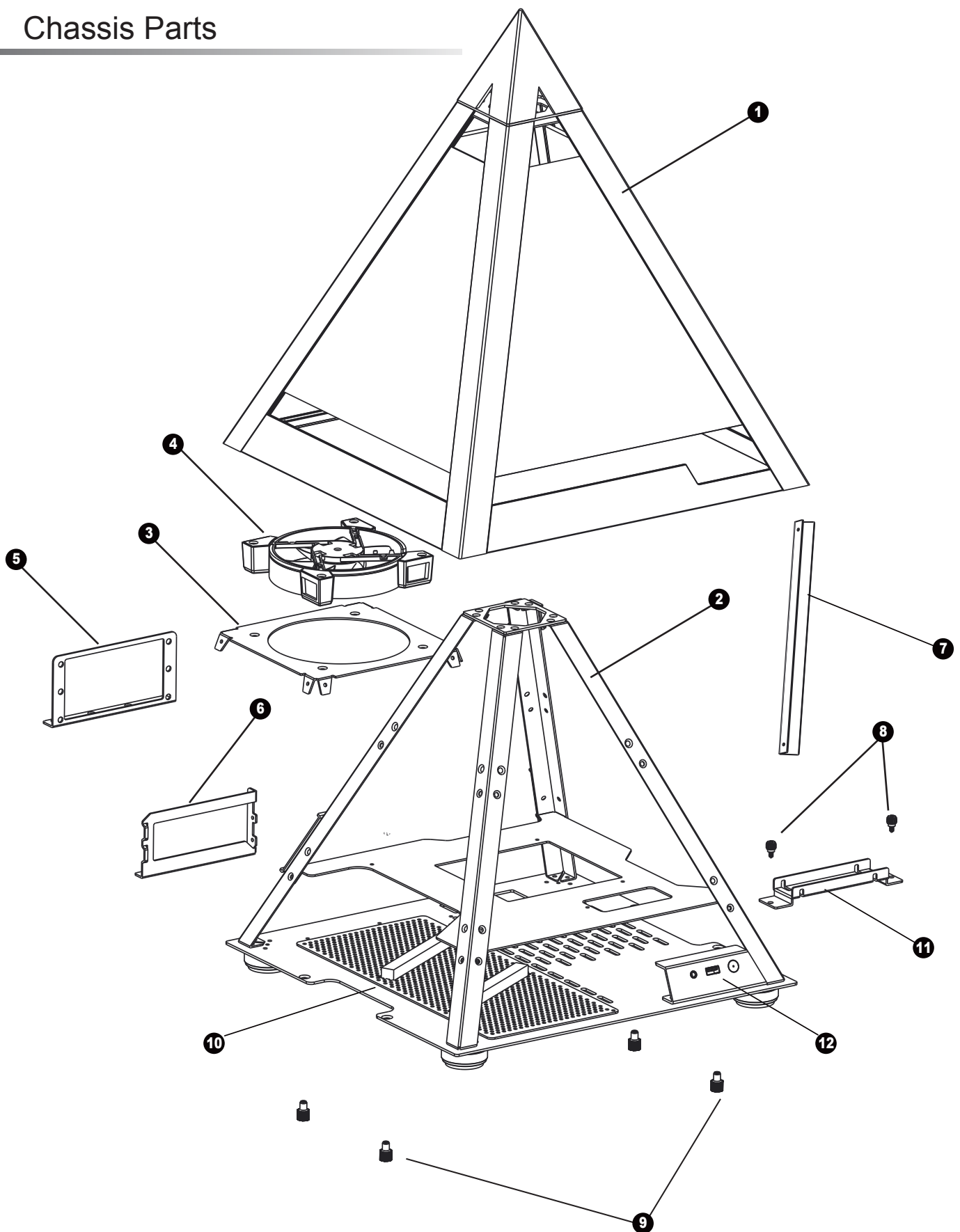
[www.azzatek.com](http://www.azzatek.com)

1. Specifications
2. Chassis Parts
3. Removing The Top Glass Panel
4. ITX Motherboard Mount
5. Power Supply Installation
6. 2.5"SSD Installation
7. Fan Installation
8. Digital RGB Fan Installation For Motherboard

# Specifications

<b>Model</b>	
Model Name:	PYRAMID MINI 806
Model Number:	CSAZ-806
<b>Specifications</b>	
Type:	MINI ITX Tower
Material:	1.5mm SPCC+ 2.0mm Aluminum
Side Panel Window:	4 sides panel are tempered glass
Max CPU Cooler Height:	UP to 85mm
Max Video Card Length:	Up to 280mm long video card (Horizontal)
Power Supply:	Support SFX power supply only
Motherboard Compatibility:	Mini ITX
<b>Expansion</b>	
External 5.25" Drive Bays:	0
Internal 2.5" Drive Bays:	Up to 2
Internal 3.5" Drive Bays:	0
Expansion Slots:	2
Front Ports:	Power Button 、 1xUSB 3.0 、 HD Audio
<b>Physical Specifications</b>	
Metal Chassis Dimensions (HxWxD)	435 x 368 x 368 mm/17.1 x 14.5 x 14.5 inches
Weight:	6.3kg/13.9lbs
<b>Features</b>	
Tempered Glass Side Window:	High-quality tempered glass side window allows for clear visuals to inner components
Available Fan Ports:	1x120mm Fan port in the Top(1x 120mm Hurricane II Digital RGB Fan included )
Water Cooling:	Supports radiators up to 120mm on the Top
Isolated Chamber:	SFX power is on the bottom Prevent its heat from affecting other components
Easy Installation Cooler:	A pre-cut hole for easy installation of CPU Cooler, eliminating the need to remove the motherboard
Accessories:	20cm PCI-E 3.0 Extend cable for VGA card (included)

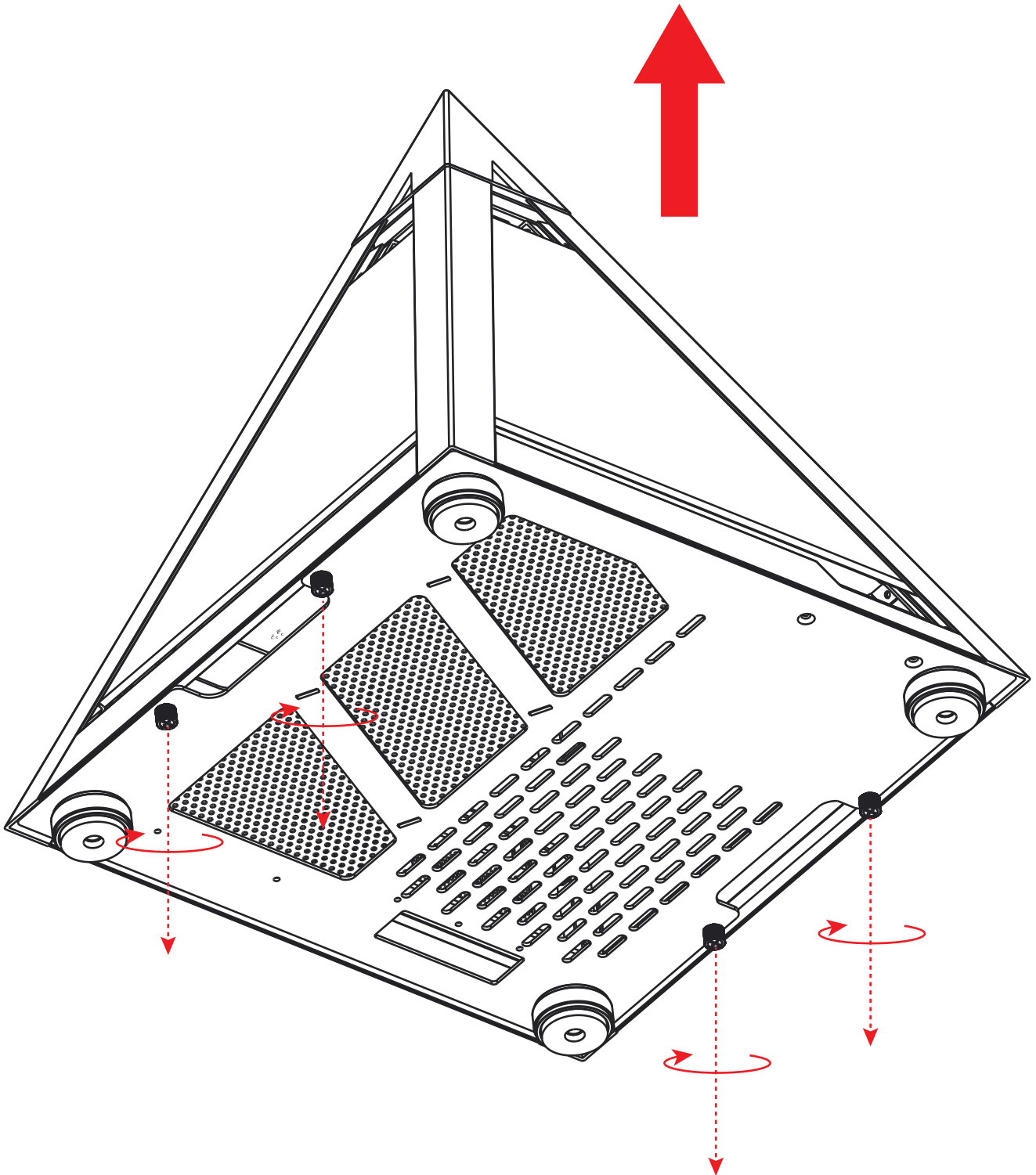
# Chassis Parts



1	TOP tempered glass panel cover	7	Fan cable management cover
2	Pyramid structure	8	Screws for 2.5" SSD bracket
3	Fan bracket	9	Spring bolt screw of top panel cover
4	12cm ARGB Fan	10	Removable(magnetic) dust proof mesh
5	Power supply rack	11	2.5" SSD bracket
6	PCIe slot	12	I/O Ports: Power button,USB 3.0 x 1 , HD Audio

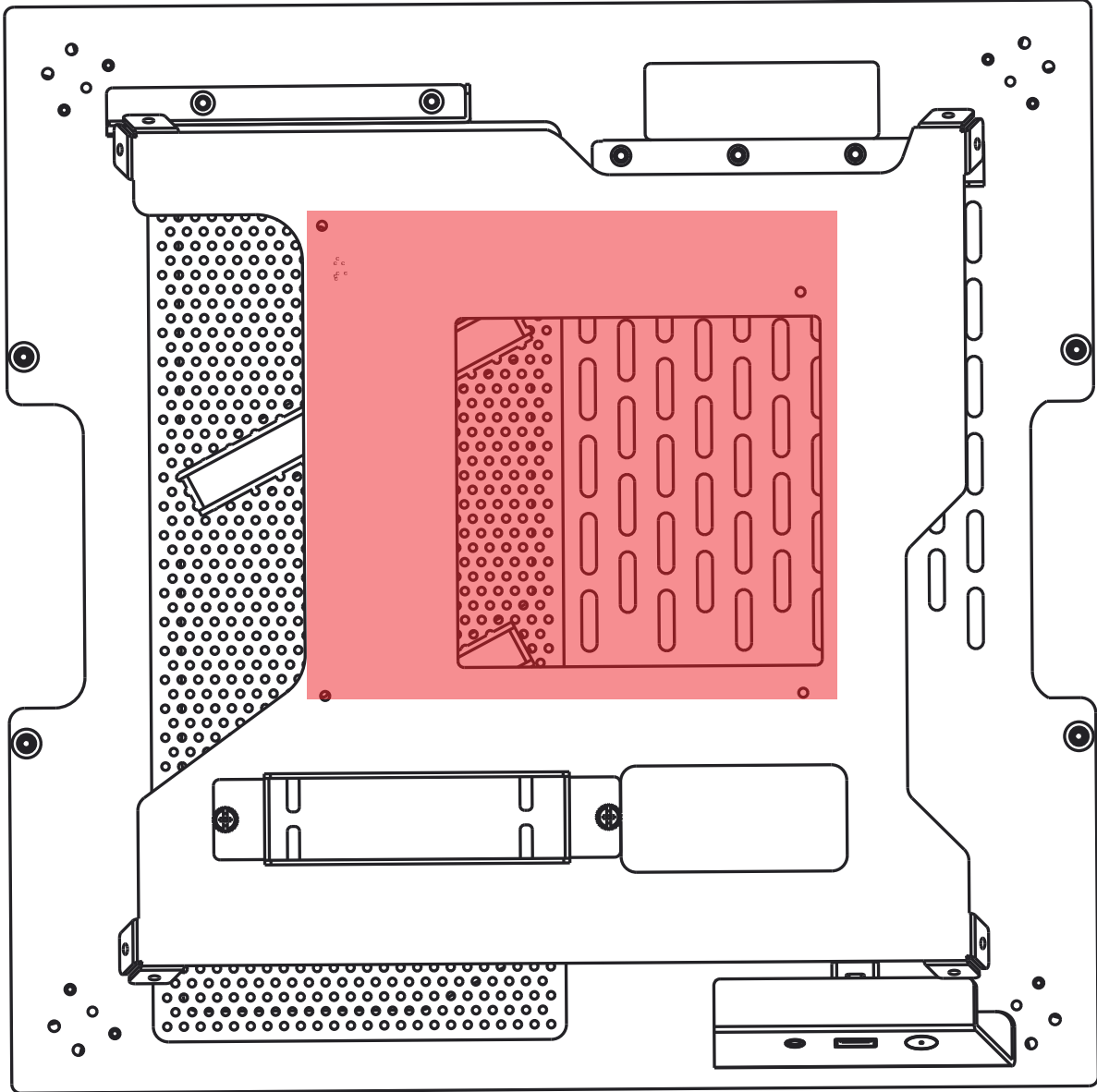
# Removing The Top Glass Panel

Lift to remove top panel



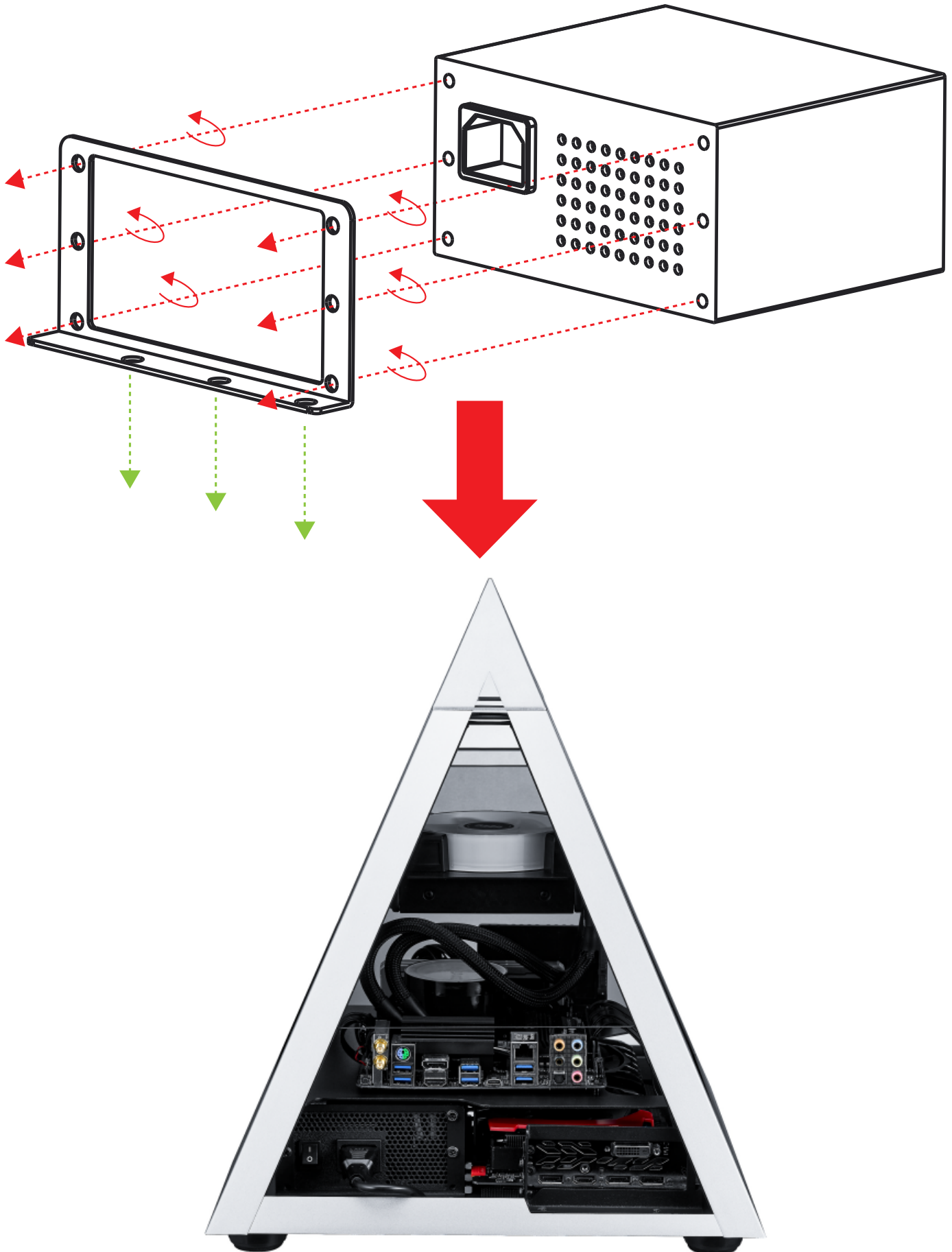
Loosen the four screws

# ITX Motherboard Mount



# Power Supply Installation

SFX Power Supply

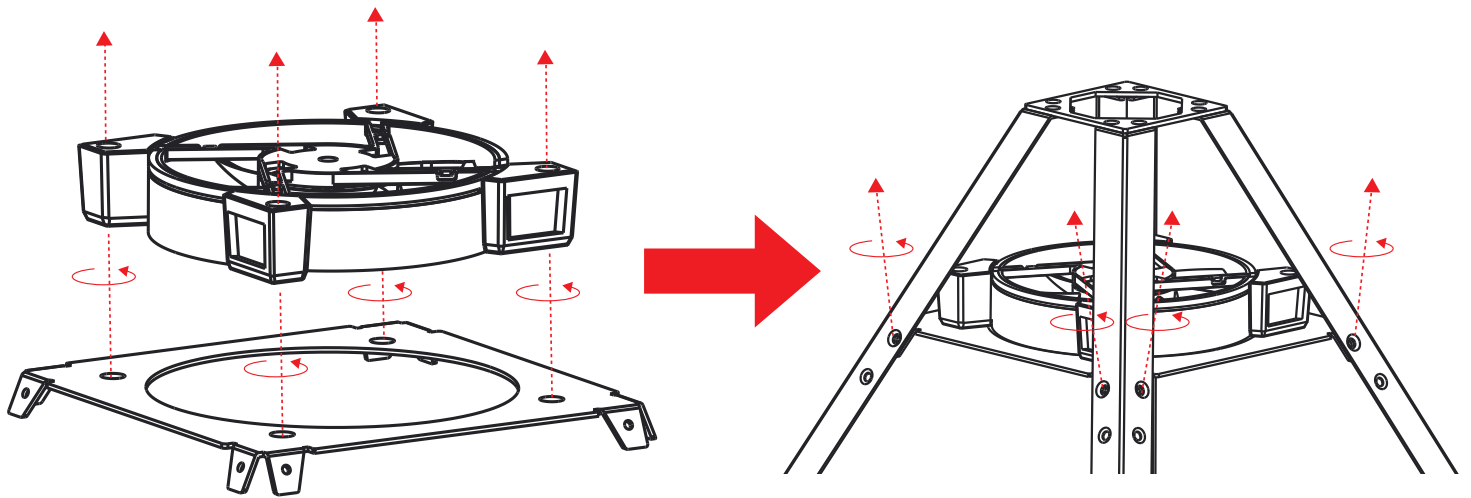


\* Product photos are for reference only.



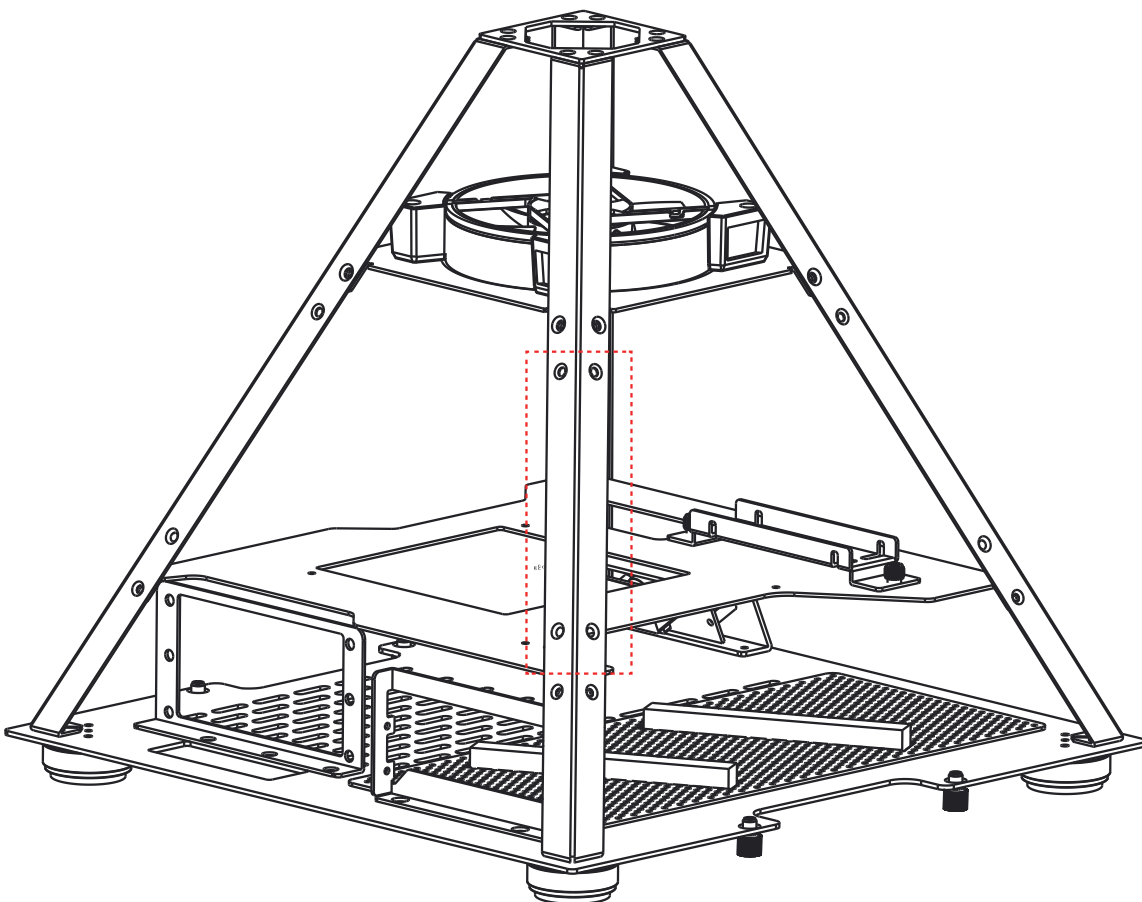


# Fan Installation



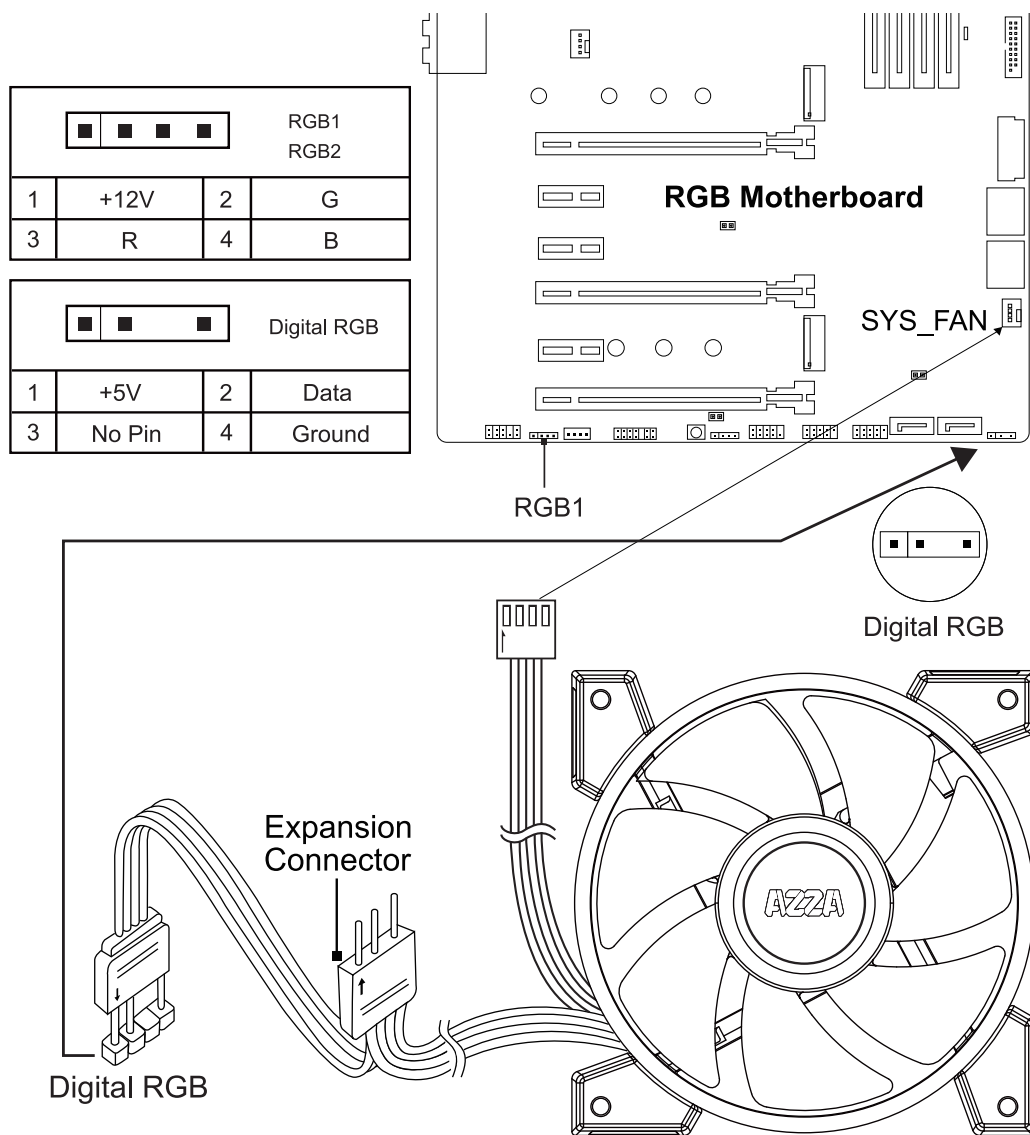
■ Fasten the fan screws

■ Secure the fan to the top of the Pyramid.



\* Manage the fan cables by hiding cable cover

# Digital RGB Fan Installation For Motherboard

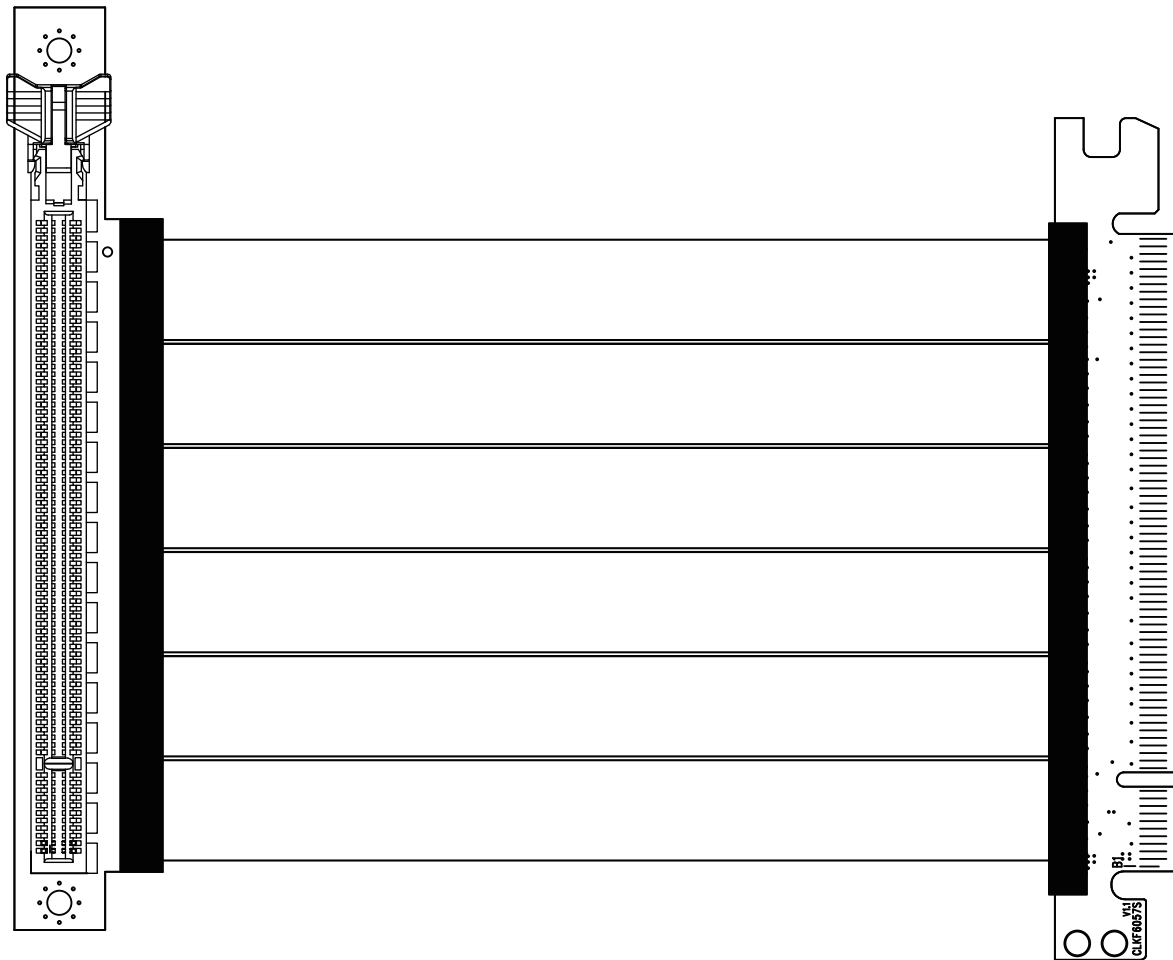


The addressable RGB fans can connect directly to the 5V addressable RGB headers of compatible motherboards, such as those from MSI™, ASUS™, Gigabyte™ and AsRock™.

Please note: Only 5V addressable headers from compatible motherboards are supported. Please do NOT connect the fan to a 12V non-addressable header.

Please check your motherboard's specifications before use. Do not go past the motherboard's allowed limits on power rating and LED count when connecting multiple fans/LED strips.

# PCI-E Cable



200mm PCI-E 3.0 Extend cable for VGA card

To fix potential compatibility issues with PCI-e Gen 4.0, please connect your graphics card directly to the motherboard, enter the BIOS, and change the PCI-e x16 mode to 3.0 before using the RGB PCI-e cable.

